

倍仕得电气科技(杭州)股份有限公司
BEISIT ELECTRIC TECH (HANGZHOU) CO.,LTD.

浙江杭州临平经济技术开发区唐梅路1号 邮编: 311100

Add.: 1, Tangmei Rd., Linping Economic-Technological
Development Area, Hangzhou, Zhejiang 311100, China
Tel: 0086-571-8936 2888 E-mail: info@beisit.com
Http: // www.beisit.com

倍仕得电气科技(深圳)有限公司
BEISIT ELECTRIC TECH (SHENZHEN) CO.,LTD.

深圳龙华区壹成环智中心B座1203-1204单元 邮编: 518109

Add.: Unit 1203-1204, Building B, Yicheng Huanzhi Center,
Longhua District, Shenzhen 518109 China
Tel: 0086-755-23730413 E-mail: info@beisit.com
Http: // www.beisit.com

倍仕得电气科技(天津)有限公司
BEISIT ELECTRIC TECH (TIANJIN) CO.,LTD.

天津河东津滨大道万达广场写字楼A座1416 邮编: 300171

Add.: #1416 Building A, Wanda Plaza Office Building,
Jinbin Avenue, Hedong District, Tianjin 300171 China
Tel: 0086-22-85453260 E-mail: info@beisit.com
Http: // www.beisit.com



Photovoltaic Energy Storage Connector Selection 光伏储能系统连接器选型



微信公众号



官网



抖音

We reserve the right to make technical changes or modify the contents of this document without prior notice. All the agreed particulars shall prevail. All rights reserved.

倍仕得园区鸟瞰图
Beisit factory Aeroview



产品合集
Product Collection



做人，把人品做好。
做企业，把产品做好。

董事长： 李乐

品牌解析

Brand Definition

BEISIT®

"I" stands for "Integrity 诚信"

"I" stands for "International 国际"

"BEST": Best 最好

做诚信的国际企业，以更好的品质服务客户

Functions as an international company of high integrity whose mission is to provide customer with finest products and services

倍仕得

倍：即多，广聚英才；加倍，业精于勤；倍增，高效发展

pronounced as "bei", means "more", gathering more talents; mastery of work comes from more diligence; developing with high efficiency.

仕：人才，德才兼备；仕途，个人和企业前景光明

pronounced as "shi", means "talents", a person with ability and integrity; Both enterprise and individual should have a bright future, indicating the idea of people-oriented.

得：拥有，拥有更高价值

pronounced as "de", means "possess", to create and possess higher value.

广聚英才，共创美好未来

Gather a large number of talents, and create a glorious future

企业认证
Company Certifications

信息化系统
Information System



BEISIT

高效快捷的信息化系统
Efficient and effective MES information system





倍仕得使命：为全球工业提供最可靠的连接器产品
Mission: To supply the most reliable connectors for global industry.

客户价值观：敬畏客户；为客户创造独特价值的决心不动摇
Customer Value: Revere clients; Never waver in determination to create unique value for our clients.

品质价值观：品质如命，只有一次；做出100%合格产品的决心不动摇
Quality Value: Quality as life, only once. Never waver in determination to produce 100% qualified products.



连接世界 · 连接未来

电连接器系列 Electrical connector series

- 01 电连接器系列
> Electrical Connector Series
- 02 产品介绍
> Product Introduction
- 03 120A大电流插头(六边形接口、圆形接口)
> 120A Large Ampere High Current Plug (Hexagonal Interface, Round Interface)
- 04 120A大电流插座(六边形接口, U型孔、六边形接口, 螺纹孔)
> 120A High Current Receptacle (Hexagonal Interface, Copper Busbars, Hexagonal Interface, Screw)
- 05 120A大电流插座(六边形接口, 螺柱、六边形接口, 压接孔)
> 120A High Current Receptacle (Hexagonal Interface, Stud, Hexagonal Interface, Crimp)
- 06 120A大电流插座(圆形接口, U型孔、圆形接口, 螺纹孔)
> 120A High Current Receptacle (Round Interface, Copper Busbar, Round Interface, Screw)
- 07 120A大电流插座(圆形接口, 螺柱、圆形接口, 压接)
> 120A High Current Receptacle (Round Interface, Stud, Round Interface, Crimp)
- 08 250A大电流插头(六边形接口、圆形接口)
> 250A Large Ampere High Current Plug (Hexagonal Interface, Round Interface)
- 09 250A大电流插座(六边形接口, U型孔、六边形接口, 螺纹孔)
> 250A High Current Receptacle (Hexagonal Interface, Copper Busbars, Hexagonal Interface, Screw)
- 10 250A大电流插座(六边形接口, 螺柱、六边形接口, 压接孔)
> 250A High Current Receptacle (Hexagonal Interface, Stud, Hexagonal Interface, Crimp)
- 11 250A大电流插座(圆形接口, U型孔、圆形接口, 螺纹孔)
> 250A High Current Receptacle (Round Interface, Copper Busbars, Round Interface, Screw)
- 12 250A大电流插座(圆形接口, 螺柱、圆形接口, 压接)
> 250A High Current Receptacle (Round Interface, Stud, Round Interface, Crimp)
- 13 350A大电流插头(六边形接口、圆形接口)
> 350A Large Ampere High Current Plug (Hexagonal Interface, Round Interface)
- 14 350A大电流插座(六边形接口, U型孔、六边形接口, 螺纹孔)
> 350A High Current Receptacle (Hexagonal Interface, Copper Busbars, Hexagonal Interface, Screw)
- 15 350A大电流插座(六边形接口, 螺柱、六边形接口, 压接孔)
> 350A High Current Receptacle (Hexagonal Interface, Stud, Hexagonal Interface, Crimp)
- 16 350A大电流插座(圆形接口, U型孔、圆形接口, 螺纹孔)
> 350A High Current Receptacle (Round Interface, Copper Busbars, Round Interface, Screw)
- 17 350A大电流插座(圆形接口, 螺柱、圆形接口, 压接)
> 350A High Current Receptacle (Round Interface, Stud, Round Interface, Crimp)
- 18 储能端子
> Energy Storage Terminals
- 19 浮动式储能连接器 (模块化)
> Energy Storage Floating Coupler Module
- 20 HM070-002 冷压型模块
> Crimp Module 1000V 70A
- 21 HMEHV-006 冷压型模块
> Crimp Module 830V 16A
- 22 塑料浮动框架
> Plastic floating frame
- 23 浮动式储能连接器
> Floating Energy Storage Connector
- 24 RJ45插头/RJ45插座
> RJ45 Plug/RJ45 Receptacle
- 25 RJ45带线插座
> RJ45 Receptacle With Wire
- 26 穿墙式接线端子
> Specification Of Products
- 27 安装作业指导
> Installation Operation Guidance
- 28 BST-200A-3PIN 穿墙式接线端子
> BST-200A-3PIN Specification Of Wall-Through Terminals
- 29 BST-200A-4PIN 穿墙式接线端子
> BST-200A-4PIN Specification Of Wall-Through Terminals
- 30 BST-300A-3P-H 穿墙式接线端子
> BST-300A-3P-H Specification Of Wall-Through Terminals
- 31 BST-300A-3PIN 穿墙式接线端子
> BST-300A-3PIN Specification Of Wall-Through Terminals
- 32 BST-150A-5PIN 穿墙式接线端子
> BST-150A-5PIN Specification Of Wall-Through Terminals
- 33 AC交流连接器
> AC Connection

液冷解决方案 Liquid Cooling Solution

- 34 液冷解决方案
> Liquid Cooling Solution
- 35 产品介绍
> Product Introduction
- 36 液冷快速连接器
> Liquid Cooling Quick Connector
- 37 储能液冷整体解决方案
> Overall Solution to Liquid Cooling Energy Storage System
- 38 管道参数
> Pipe Parameters

液冷解决方案 Liquid Cooling Solution

- 40 产品命名规则
> Part Numbers
- 43 技术参数
> Technical Parameter
- 44 FBI流量曲线
> FBI Flow Chart
- 45 > PP-8
- 46 > PB-8
- 48 > NV-8
- 49 > NP-10/16
- 50 推拉式流体连接器
> PUSH-PULL Type Fluid Connector
- 52 产品命名规则
> Part Numbers
- 53 技术参数
> Technical Parameter
- 54 PP流量曲线
> PP Flow Chart
- 55 > PP-5 / PP-8 / PP-10
- 58 > PP-12 / PP-15
- 60 > PP-17 / PP-20 / PP-25

透气泄压系列 Breathable and Pressure Relief Series

- 63 透气泄压系列
> Breathable and Pressure Relief Series
- 64 产品介绍
> Product Introduction
- 65 防水透气阀
> Ventilation Plug
- 66 金属防水透气阀/尼龙防水透气阀
> Metal Ventilation Plug/Nylon Ventilation Plug
- 67 金属防爆泄压阀
> Metal Ex-proof Pressure Release Valve

电缆保护系列 Cable Protection Series

- 68 电缆保护系列
> Cable Protection Series
- 69 产品介绍
> Product Introduction
- 70 信号保护罩
> Signal Shield
- 71 安装作业指导
> Installation Operation Guidance
- 72 BST-SPC-H6-6 信号保护罩
> BST-SPC-H6-6 Signal Entry Protection Shield
- 73 M33-H4-6-COM信号保护罩
> M33-H4-6-COM Signal Entry Protection Shield
- 74 M25-H2-01/02 信号保护罩
> M25-H2-01/02 Signal Entry Protection Shield
- 75 M型电缆固定头
> Metric Type Nylon Cable Glands
- 76 PG型电缆固定头
> PG Type Nylon Cable Glands
- 77 M型多孔电缆固定头
> Multiple-entry Nylon Cable Glands-Metric Type
- 78 M型多孔电缆固定头
> Multiple-entry Nylon Cable Glands-Metric Type
- 79 M型圆形尼龙闪盖
> Metric Type Nylon Screw Plugs
- 80 M型定制尼龙闪盖
> Metric Type Customization Nylon Screw Plug
- 81 电缆引入系统
> Cable Entry System
- 82 多孔方形密封穿线板
> Cable Entry Plates-Square Type Sith Multi-hole
- 83 多孔圆形密封穿线板
> Perforated Circular Sealing Threading Plate
- 84 宝塔型密封穿线板
> Cable Entry Grommets
- 85 单孔穿线护套
> Single Hole Threading Sheath
- 86 安装尺寸
> Installation Dimension



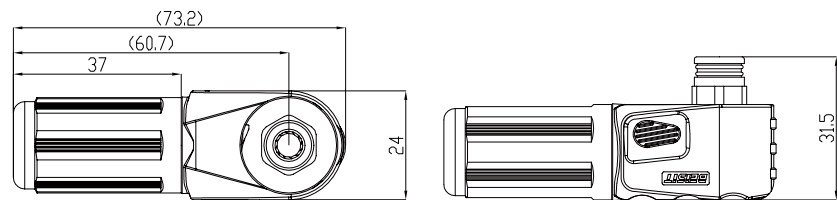
产品介绍
Product Introduction



120A大电流插头(六边形接口) 120A Large Ampere High Current Plug (Hexagonal Interface)

→ 4128

产品标准 Standard: UL 4128
 额定电压 Rated Voltage: 1000V
 额定电流 Rated current: 120A MAX
 防护等级 IP Rating: IP67
 密封件材料 Seal: 硅橡胶 Silicone rubber
 外壳体材料 Housing: 塑料 Plastic
 接触件材料 Contacts: 铜合金, 镀银 Brass, Silver
 接线方式 Contacts termination: 压接 Crimp

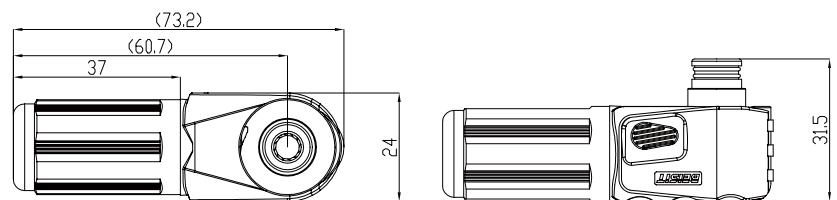


Product Model	Order No.	Cross-section	Rated current	Cable Diameter	Color
PW06HO7PC01	1010010000021	16mm ²	80A	7.5mm~8.5mm	Orange
PW06HO7PC02	1010010000003	25mm ²	120A	8.5mm~9.5mm	Orange

120A大电流插头(圆形接口) 120A Large Ampere High Current Plug (Round Interface)

→ 4128

产品标准 Standard: UL 4128
 额定电压 Rated Voltage: 1000V
 额定电流 Rated current: 120A MAX
 防护等级 IP Rating: IP67
 密封件材料 Seal: 硅橡胶 Silicone rubber
 外壳体材料 Housing: 塑料 Plastic
 接触件材料 Contacts: 铜合金, 镀银 Brass, Silver
 接线方式 Contacts termination: 压接 Crimp

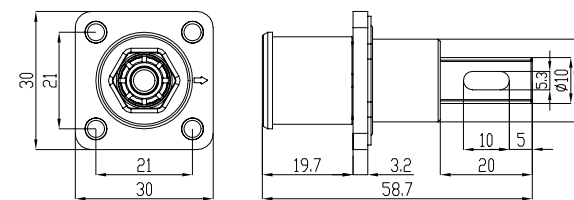


Product Model	Order No.	Cross-section	Rated current	Cable Diameter	Color
PW06RB7PC01	1010010000023	16mm ²	80A	7.5mm~8.5mm	Black
PW06RB7PC02	1010010000005	25mm ²	120A	8.5mm~9.5mm	Black

120A大电流插座(六边形接口, U型孔) 120A High Current Receptacle (Hexagonal Interface, Copper Busbars)

→ 4128

产品标准 Standard: UL 4128
 额定电压 Rated Voltage: 1000V
 额定电流 Rated current: 120A MAX
 防护等级 IP Rating: IP67
 密封件材料 Seal: 硅橡胶 Silicone rubber
 外壳体材料 Housing: 塑料 Plastic
 接触件材料 Contacts: 铜合金, 镀银 Brass, Silver
 接线方式 Contacts termination: 压接 Crimp
 插座法兰安装螺钉 Tightening screws for flange: M4

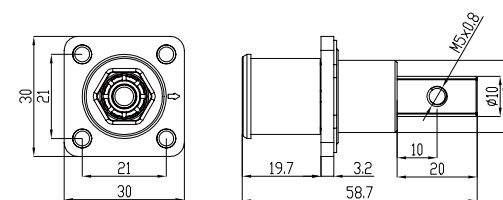


Product Model	Order No.	Color
PW06HO7RU01	1010020000003	Orange

120A大电流插座(六边形接口, 螺纹孔) 120A High Current Receptacle (Hexagonal Interface, Screw)

→ 4128

产品标准 Standard: UL 4128
 额定电压 Rated Voltage: 1000V
 额定电流 Rated current: 120A MAX
 防护等级 IP Rating: IP67
 密封件材料 Seal: 硅橡胶 Silicone rubber
 外壳体材料 Housing: 塑料 Plastic
 接触件材料 Contacts: 铜合金, 镀银 Brass, Silver
 插座法兰安装螺钉 Tightening screws for flange: M4



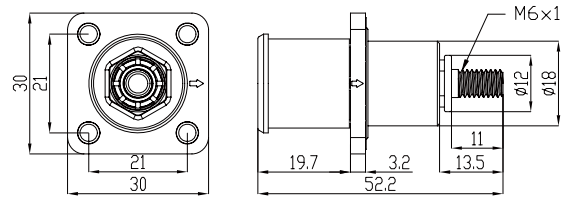
Product Model	Order No.	Color
PW06HO7RB01	1010020000006	Orange

120A大电流插座(六边形接口, 螺柱)
120A High Current Receptacle (Hexagonal Interface, Stud)



→ 4128

产品标准 Standard: UL 4128
 额定电压 Rated Voltage: 1000V
 额定电流 Rated current: 120A MAX
 防护等级 IP Rating: IP67
 密封件材料 Seal: 硅橡胶 Silicone rubber
 外壳体材料 Housing: 塑料 Plastic
 接触件材料 Contacts: 铜合金, 镀银 Brass, Silver
 插座法兰安装螺钉 Tightening screws for flange: M4



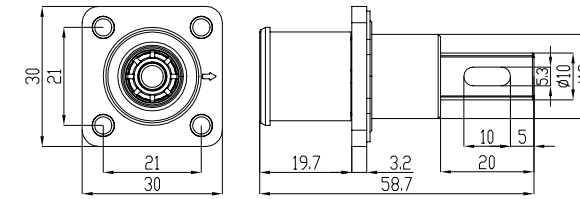
Product Model	Order No.	Color
PW06HO7RD01	1010020000055	Orange

120A大电流插座(圆形接口, U型孔)
120A High Current Receptacle (Round Interface, Coppre Busbar)



→ 4128

产品标准 Standard: UL 4128
 额定电压 Rated Voltage: 1000V
 额定电流 Rated current: 120A MAX
 防护等级 IP Rating: IP67
 密封件材料 Seal: 硅橡胶 Silicone rubber
 外壳体材料 Housing: 塑料 Plastic
 接触件材料 Contacts: 铜合金, 镀银 Brass, Silver
 插座法兰安装螺钉 Tightening screws for flange: M4

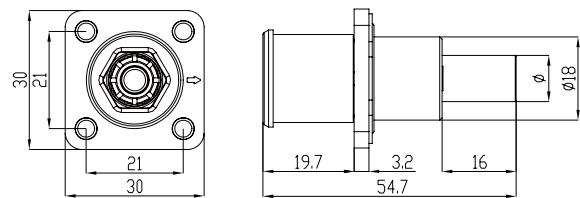


Product Model	Order No.	Color
PW06RB7RU01	1010020000011	Black

120A大电流插座(六边形接口, 压接孔)
120A High Current Receptacle (Hexagonal Interface, Crimp)

→ 4128

产品标准 Standard: UL 4128
 额定电压 Rated Voltage: 1000V
 额定电流 Rated current: 120A MAX
 防护等级 IP Rating: IP67
 密封件材料 Seal: 硅橡胶 Silicone rubber
 外壳体材料 Housing: 塑料 Plastic
 接触件材料 Contacts: 铜合金, 镀银 Brass, Silver
 插座法兰安装螺钉 Tightening screws for flange: M4



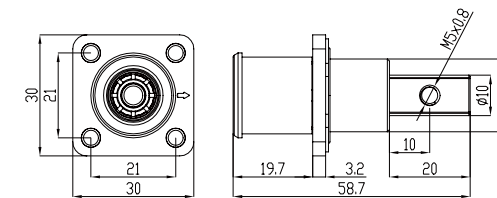
Rated current	φ
80A	8.5mm
120A	10mm

Product Model	Order No.	Cross-section	Rated current	Cable Diameter	Color
PW06HO7RC01	1010020000008	16mm ²	80A	7.5mm~8.5mm	Orange
PW06HO7RC02	1010020000009	25mm ²	120A	8.5mm~9.5mm	Orange

120A大电流插座(圆形接口, 螺纹孔)
120A High Current Receptacle (Round Interface, Screw)

→ 4128

产品标准 Standard: UL 4128
 额定电压 Rated Voltage: 1000V
 额定电流 Rated current: 120A MAX
 防护等级 IP Rating: IP67
 密封件材料 Seal: 硅橡胶 Silicone rubber
 外壳体材料 Housing: 塑料 Plastic
 接触件材料 Contacts: 铜合金, 镀银 Brass, Silver
 插座法兰安装螺钉 Tightening screws for flange: M4



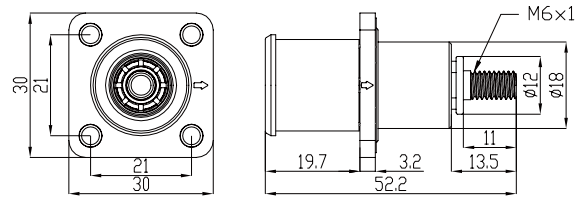
Product Model	Order No.	Color
PW06RB7RB01	1010020000014	Black

120A大电流插座(圆形接口, 螺柱)
120A High Current Receptacle (Round Interface, Stud)



→ 4128

产品标准 Standard: UL 4128
 额定电压 Rated Voltage: 1000V
 额定电流 Rated current: 120A MAX
 防护等级 IP Rating: IP67
 密封件材料 Seal: 硅橡胶 Silicone rubber
 外壳体材料 Housing: 塑料 Plastic
 接触件材料 Contacts: 铜合金, 镀银 Brass, Silver
 插座法兰安装螺钉 Tightening screws for flange: M4

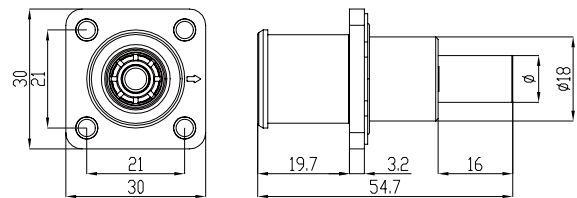


Product Model	Order No.	Color
PW06RB7RD01	1010020000056	Black

120A大电流插座(圆形接口, 压接)
120A High Current Receptacle (Round Interface, Crimp)

→ 4128

产品标准 Standard: UL 4128
 额定电压 Rated Voltage: 1000V
 额定电流 Rated current: 120A MAX
 防护等级 IP Rating: IP67
 密封件材料 Seal: 硅橡胶 Silicone rubber
 外壳体材料 Housing: 塑料 Plastic
 接触件材料 Contacts: 铜合金, 镀银 Brass, Silver
 插座法兰安装螺钉 Tightening screws for flange: M4



Rated current	φ
80A	8.5mm
120A	10mm

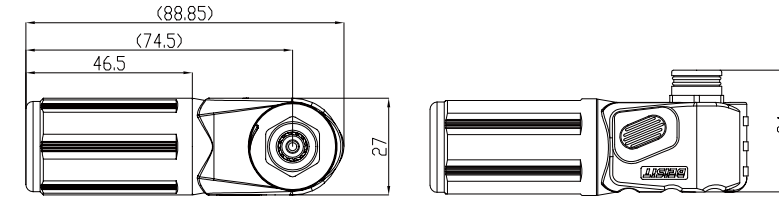
Product Model	Order No.	Cross-section	Rated current	Cable Diameter	Color
PW06RB7RC01	1010020000016	16mm ²	80A	7.5mm~8.5mm	Black
PW06RB7RC02	1010020000017	25mm ²	120A	8.5mm~9.5mm	Black

250A大电流插头(六边形接口)
250A Large Ampere High Current Plug (Hexagonal Interface)



→ 4128

产品标准 Standard: UL 4128
 额定电压 Rated Voltage: 1500V
 额定电流 Rated current: 250A MAX
 防护等级 IP Rating: IP67
 密封件材料 Seal: 硅橡胶 Silicone rubber
 外壳体材料 Housing: 塑料 Plastic
 接触件材料 Contacts: 铜合金, 镀银 Brass, Silver
 接线方式 Contacts termination: 压接 Crimp

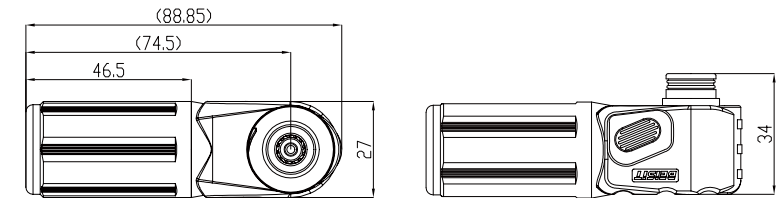


Product Model	Order No.	Cross-section	Rated current	Cable Diameter	Color
PW08HO7PC01	1010010000007	35mm ²	150A	10.5mm~12mm	Orange
PW08HO7PC02	1010010000009	50mm ²	200A	13mm~14mm	Orange
PW08HO7PC03	1010010000010	70mm ²	250A	14mm~15.5mm	Orange

250A大电流插头(圆形接口)
250A Large Ampere High Current Plug (Round Interface)

→ 4128

产品标准 Standard: UL 4128
 额定电压 Rated Voltage: 1500V
 额定电流 Rated current: 250A MAX
 防护等级 IP Rating: IP67
 密封件材料 Seal: 硅橡胶 Silicone rubber
 外壳体材料 Housing: 塑料 Plastic
 接触件材料 Contacts: 铜合金, 镀银 Brass, Silver
 接线方式 Contacts termination: 压接 Crimp



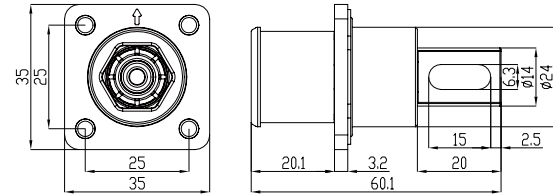
Product Model	Order No.	Cross-section	Rated current	Cable Diameter	Color
PW08RB7PC01	1010010000008	35mm ²	150A	10.5mm~12mm	Black
PW08RB7PC02	1010010000011	50mm ²	200A	13mm~14mm	Black
PW08RB7PC03	1010010000012	70mm ²	250A	14mm~15.5mm	Black

250A大电流插座(六边形接口, U型孔)
250A High Current Receptacle (Hexagonal Interface, Copper Busbars)



→ 4128

产品标准 Standard: UL 4128
 额定电压 Rated Voltage: 1500V
 额定电流 Rated current: 250A MAX
 防护等级 IP Rating: IP67
 密封件材料 Seal: 硅橡胶 Silicone rubber
 外壳体材料 Housing: 塑料 Plastic
 接触件材料 Contacts: 铜合金, 镀银 Brass, Silver
 插座法兰安装螺钉 Tightening screws for flange: M4



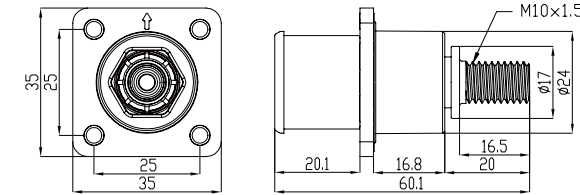
Product Model	Order No.	Color
PW08HO7RU01	1010020000021	Orange

250A大电流插座(六边形接口, 螺柱)
250A High Current Receptacle (Hexagonal Interface, Stud)



→ 4128

产品标准 Standard: UL 4128
 额定电压 Rated Voltage: 1500V
 额定电流 Rated current: 250A MAX
 防护等级 IP Rating: IP67
 密封件材料 Seal: 硅橡胶 Silicone rubber
 外壳体材料 Housing: 塑料 Plastic
 接触件材料 Contacts: 铜合金, 镀银 Brass, Silver
 插座法兰安装螺钉 Tightening screws for flange: M4

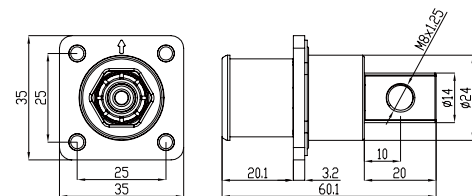


Product Model	Order No.	Color
PW08HO7RD01	1010020000019	Orange

250A大电流插座(六边形接口, 螺纹孔)
250A High Current Receptacle (Hexagonal Interface, Screw)

→ 4128

产品标准 Standard: UL 4128
 额定电压 Rated Voltage: 1500V
 额定电流 Rated current: 250A MAX
 防护等级 IP Rating: IP67
 密封件材料 Seal: 硅橡胶 Silicone rubber
 外壳体材料 Housing: 塑料 Plastic
 接触件材料 Contacts: 铜合金, 镀银 Brass, Silver
 插座法兰安装螺钉 Tightening screws for flange: M4

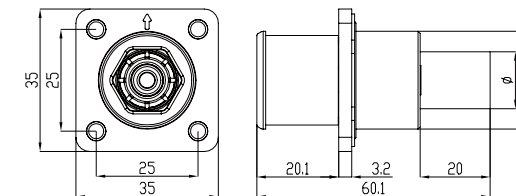


Product Model	Order No.	Color
PW08HO7RB01	1010020000024	Orange

250A大电流插座(六边形接口, 压接孔)
250A High Current Receptacle (Hexagonal Interface, Crimp)

→ 4128

产品标准 Standard: UL 4128
 额定电压 Rated Voltage: 1500V
 额定电流 Rated current: 250A MAX
 防护等级 IP Rating: IP67
 密封件材料 Seal: 硅橡胶 Silicone rubber
 外壳体材料 Housing: 塑料 Plastic
 接触件材料 Contacts: 铜合金, 镀银 Brass, Silver
 接线方式 Contacts termination: 压接 Crimp



Rated current	Φ
150A	11mm
200A	14mm
250A	16.5mm

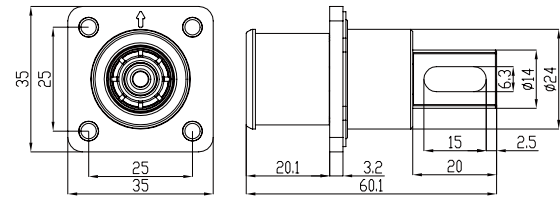
Product Model	Order No.	Cross-section	Rated current	Cable Diameter	Color
PW08HO7RC01	1010020000025	35mm ²	150A	10.5mm~12mm	Orange
PW08HO7RC02	1010020000026	50mm ²	200A	13mm~14mm	Orange
PW08HO7RC03	1010020000027	70mm ²	250A	14mm~15.5mm	Orange

250A大电流插座(圆形接口, U型孔)
250A High Current Receptacle (Round Interface, Copper Busbars)



→ 4128

产品标准 Standard: UL 4128
 额定电压 Rated Voltage: 1500V
 额定电流 Rated current: 250A MAX
 防护等级 IP Rating: IP67
 密封件材料 Seal: 硅橡胶 Silicone rubber
 外壳体材料 Housing: 塑料 Plastic
 接触件材料 Contacts: 铜合金, 镀银 Brass, Silver
 插座法兰安装螺钉 Tightening screws for flange: M4



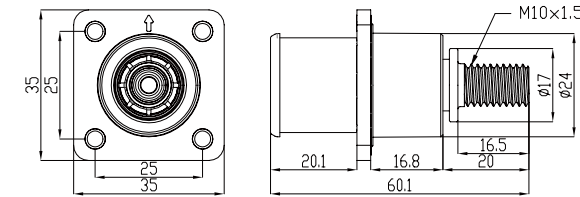
Product Model	Order No.	Color
PW08RB7RU01	1010020000029	Black

250A大电流插座(圆形接口, 螺柱)
250A High Current Receptacle (Round Interface, Stud)



→ 4128

产品标准 Standard: UL 4128
 额定电压 Rated Voltage: 1500V
 额定电流 Rated current: 250A MAX
 防护等级 IP Rating: IP67
 密封件材料 Seal: 硅橡胶 Silicone rubber
 外壳体材料 Housing: 塑料 Plastic
 接触件材料 Contacts: 铜合金, 镀银 Brass, Silver
 插座法兰安装螺钉 Tightening screws for flange: M4

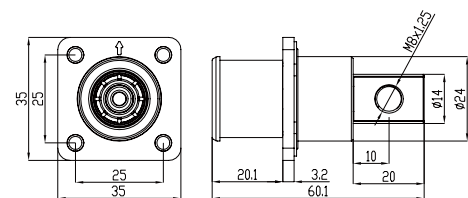


Product Model	Order No.	Color
PW08RB7RD01	1010020000020	Black

250A大电流插座(圆形接口, 螺纹孔)
250A High Current Receptacle (Round Interface, Screw)

→ 4128

产品标准 Standard: UL 4128
 额定电压 Rated Voltage: 1500V
 额定电流 Rated current: 250A MAX
 防护等级 IP Rating: IP67
 密封件材料 Seal: 硅橡胶 Silicone rubber
 外壳体材料 Housing: 塑料 Plastic
 接触件材料 Contacts: 铜合金, 镀银 Brass, Silver
 插座法兰安装螺钉 Tightening screws for flange: M4

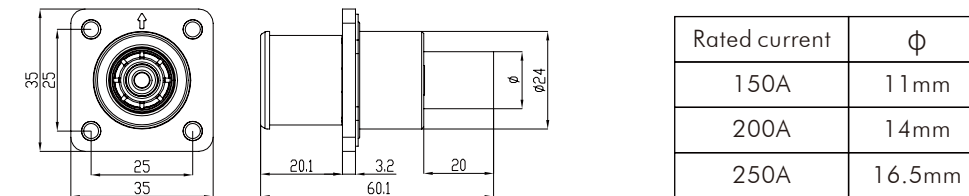


Product Model	Order No.	Color
PW08RB7RB01	1010020000032	Black

250A大电流插座(圆形接口, 压接)
250A High Current Receptacle (Round Interface, Crimp)

→ 4128

产品标准 Standard: UL 4128
 额定电压 Rated Voltage: 1500V
 额定电流 Rated current: 250A MAX
 防护等级 IP Rating: IP67
 密封件材料 Seal: 硅橡胶 Silicone rubber
 外壳体材料 Housing: 塑料 Plastic
 接触件材料 Contacts: 铜合金, 镀银 Brass, Silver
 接线方式 Contacts termination: 压接 Crimp



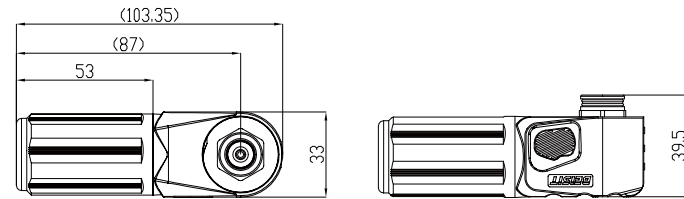
Product Model	Order No.	Cross-section	Rated current	Cable Diameter	Color
PW08RB7RC01	1010020000033	35mm ²	150A	10.5mm~12mm	Black
PW08RB7RC02	1010020000034	50mm ²	200A	13mm~14mm	Black
PW08RB7RC03	1010020000035	70mm ²	250A	14mm~15.5mm	Black

350A大电流插头(六边形接口)
350A Large Ampere High Current Plug (Hexagonal Interface)



→ 4128

产品标准 Standard: UL 4128
 额定电压 Rated Voltage: 1500V
 额定电流 Rated current: 350A MAX
 防护等级 IP Rating: IP67
 密封件材料 Seal: 硅橡胶 Silicone rubber
 外壳体材料 Housing: 塑料 Plastic
 接触件材料 Contacts: 铜合金, 镀银 Brass, Silver
 接线方式 Contacts termination: 压接 Crimp



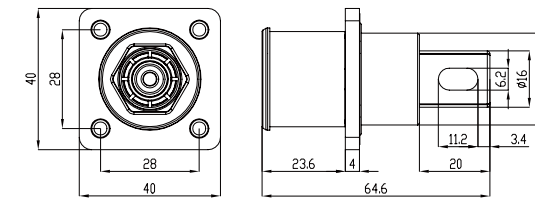
Product Model	Order No.	Cross-section	Rated current	Cable Diameter	Color
PW12HO7PC01	1010010000013	95mm ²	300A	17mm~19mm	Orange
PW12HO7PC02	1010010000015	120mm ²	350A	19mm~20.5mm	Orange

350A大电流插座(六边形接口, U型孔)
350A High Current Receptacle (Hexagonal Interface, Copper Busbars)



→ 4128

产品标准 Standard: UL 4128
 额定电压 Rated Voltage: 1500V
 额定电流 Rated current: 350A MAX
 防护等级 IP Rating: IP67
 密封件材料 Seal: 硅橡胶 Silicone rubber
 外壳体材料 Housing: 塑料 Plastic
 接触件材料 Contacts: 铜合金, 镀银 Brass, Silver
 插座法兰安装螺钉 Tightening screws for flange: M4

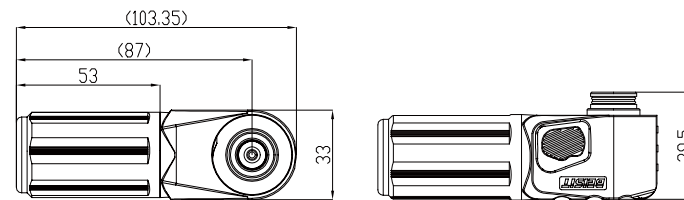


Product Model	Order No.	Color
PW12HO7RU01	1010020000039	Orange

350A大电流插头(圆形接口)
350A Large Ampere High Current Plug (Round Interface)

→ 4128

产品标准 Standard: UL 4128
 额定电压 Rated Voltage: 1500V
 额定电流 Rated current: 350A MAX
 防护等级 IP Rating: IP67
 密封件材料 Seal: 硅橡胶 Silicone rubber
 外壳体材料 Housing: 塑料 Plastic
 接触件材料 Contacts: 铜合金, 镀银 Brass, Silver
 接线方式 Contacts termination: 压接 Crimp

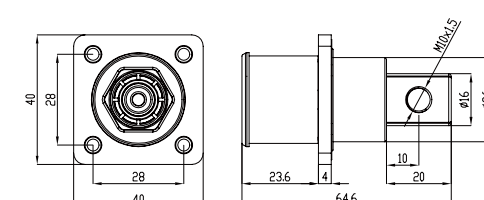


Product Model	Order No.	Cross-section	Rated current	Cable Diameter	Color
PW12RB7PC01	1010010000014	95mm ²	300A	17mm~19mm	Black
PW12RB7PC02	1010010000017	120mm ²	350A	19mm~20.5mm	Black

350A大电流插座(六边形接口, 螺纹孔)
350A High Current Receptacle (Hexagonal Interface, Screw)

→ 4128

产品标准 Standard: UL 4128
 额定电压 Rated Voltage: 1500V
 额定电流 Rated current: 350A MAX
 防护等级 IP Rating: IP67
 密封件材料 Seal: 硅橡胶 Silicone rubber
 外壳体材料 Housing: 塑料 Plastic
 接触件材料 Contacts: 铜合金, 镀银 Brass, Silver
 插座法兰安装螺钉 Tightening screws for flange: M4



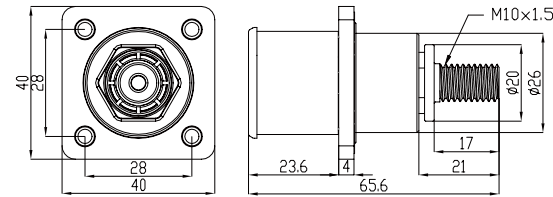
Product Model	Order No.	Color
PW12HO7RB01	1010020000042	Orange

350A大电流插座(六边形接口, 螺柱)
350A High Current Receptacle (Hexagonal Interface, Stud)



→ 4128

产品标准 Standard: UL 4128
 额定电压 Rated Voltage: 1500V
 额定电流 Rated current: 350A MAX
 防护等级 IP Rating: IP67
 密封件材料 Seal: 硅橡胶 Silicone rubber
 外壳体材料 Housing: 塑料 Plastic
 接触件材料 Contacts: 铜合金, 镀银 Brass, Silver
 插座法兰安装螺钉 Tightening screws for flange: M4



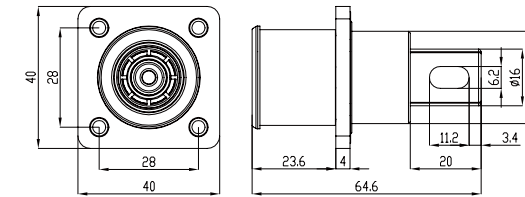
Product Model	Order No.	Color
PW12HO7RD01	1010020000057	Orange

350A大电流插座(圆形接口, U型孔)
350A High Current Receptacle (Round Interface, Copper Busbars)



→ 4128

产品标准 Standard: UL 4128
 额定电压 Rated Voltage: 1500V
 额定电流 Rated current: 350A MAX
 防护等级 IP Rating: IP67
 密封件材料 Seal: 硅橡胶 Silicone rubber
 外壳体材料 Housing: 塑料 Plastic
 接触件材料 Contacts: 铜合金, 镀银 Brass, Silver
 插座法兰安装螺钉 Tightening screws for flange: M4

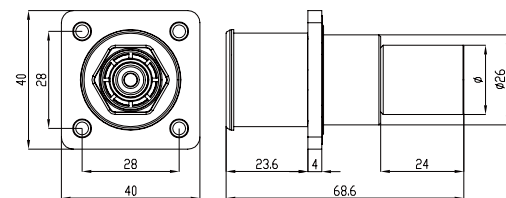


Product Model	Order No.	Color
PW12RB7RU01	1010020000047	Black

350A大电流插座(六边形接口, 压接孔)
350A High Current Receptacle (Hexagonal Interface, Crimp)

→ 4128

产品标准 Standard: UL 4128
 额定电压 Rated Voltage: 1500V
 额定电流 Rated current: 350A MAX
 防护等级 IP Rating: IP67
 密封件材料 Seal: 硅橡胶 Silicone rubber
 外壳体材料 Housing: 塑料 Plastic
 接触件材料 Contacts: 铜合金, 镀银 Brass, Silver
 插座法兰安装螺钉 Tightening screws for flange: M4



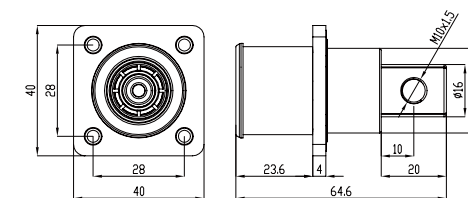
Rated current	φ
300A	17.5mm
350A	20mm

Product Model	Order No.	Cross-section	Rated current	Cable Diameter	Color
PW12HO7RC01	1010020000044	95mm ²	300A	17mm~19mm	Orange
PW12HO7RC02	1010020000045	120mm ²	350A	19mm~20.5mm	Orange

350A大电流插座(圆形接口, 螺纹孔)
350A High Current Receptacle (Round Interface, Screw)

→ 4128

产品标准 Standard: UL 4128
 额定电压 Rated Voltage: 1500V
 额定电流 Rated current: 350A MAX
 防护等级 IP Rating: IP67
 密封件材料 Seal: 硅橡胶 Silicone rubber
 外壳体材料 Housing: 塑料 Plastic
 接触件材料 Contacts: 铜合金, 镀银 Brass, Silver
 插座法兰安装螺钉 Tightening screws for flange: M4



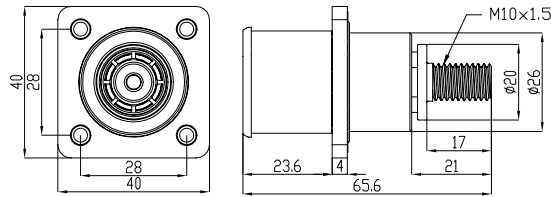
Product Model	Order No.	Color
PW12RB7RB01	1010020000050	Black

350A大电流插座(圆形接口, 螺柱)
350A High Current Receptacle (Round Interface, Stud)



→ 4128

产品标准 Standard: UL 4128
 额定电压 Rated Voltage: 1500V
 额定电流 Rated current: 350A MAX
 防护等级 IP Rating: IP67
 密封件材料 Seal: 硅橡胶 Silicone rubber
 外壳材料 Housing: 塑料 Plastic
 接触件材料 Contacts: 铜合金, 镀银 Brass, Silver
 插座法兰安装螺钉 Tightening screws for flange: M4

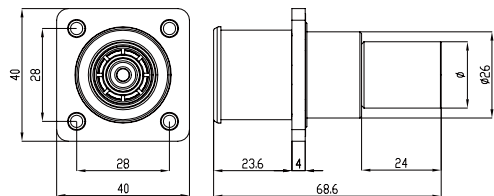


Product Model	Order No.	Color
PW12RB7RD01	1010020000058	Black

350A大电流插座(圆形接口, 压接)
350A High Current Receptacle (Round Interface, Crimp)

→ 4128

产品标准 Standard: UL 4128
 额定电压 Rated Voltage: 1500V
 额定电流 Rated current: 350A MAX
 防护等级 IP Rating: IP67
 密封件材料 Seal: 硅橡胶 Silicone rubber
 外壳材料 Housing: 塑料 Plastic
 接触件材料 Contacts: 铜合金, 镀银 Brass, Silver
 插座法兰安装螺钉 Tightening screws for flange: M4



Rated current	φ
300A	17.5mm
350A	20mm

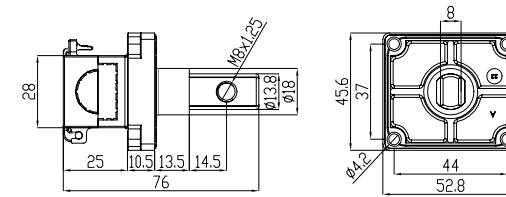
Product Model	Order No.	Cross-section	Rated current	Cable Diameter	Color
PW12RB7RC01	1010020000052	95mm ²	300A	17mm~19mm	Black
PW12RB7RC02	1010020000053	120mm ²	350A	19mm~20.5mm	Black

储能端子
Energy Storage Terminals



→ SE

额定电压 Rated Voltage: 1500V
 阻燃 Flame Rating: UL94 V-0
 外壳材料 Shell: 塑料 Plastic
 防护等级 IP Rating: IP67
 接触件材料 Contacts: 铜合金镀镍 Brass, Nickel plated
 接线方式 Contacts termination: 接铜牌 Busbar

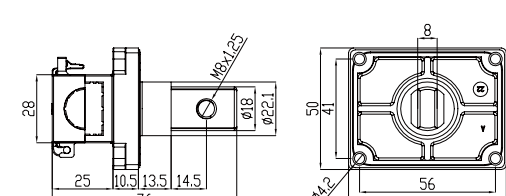


Product Model	Order No.	Rated current	Color
SEO25001	1010030000001	250A	Orange
SEB25001	1010030000002	250A	Black

储能端子
Energy Storage Terminals

→ SE

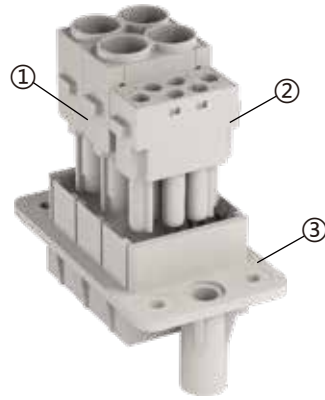
额定电压 Rated Voltage: 1500V
 阻燃 Flame Rating: UL94 V-0
 外壳材料 Shell: 塑料 Plastic
 防护等级 IP Rating: IP67
 接触件材料 Contacts: 铜合金镀镍 Brass, Nickel plated
 接线方式 Contacts termination: 接铜牌 Busbar



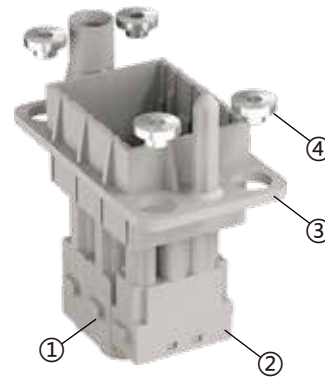
Product Model	Order No.	Rated current	Color
SEO35001	1010030000003	350A	Orange
SEB35001	1010030000004	350A	Black

浮动原理简介 Floating Principle Introduction

4个浮动垫圈安装在浮动框架(ABC)上, 使用M4螺丝穿过浮动垫圈中心孔, 之后浮动框架可在一定范围内移动(最大偏移为4mm)。
Four floating washers are installed on the floating frame (ABC), and M4 bolts pass through the center of floating washer. In this way the floating frame can move within a certain allowance range (maximum offset 4mm).



Number	Product Name	Product Model	Quantity
①	HM070-002冷压连接母模块	HM070-002-FC-1	2
②	HMEHV-006冷压连接母模块	HMEHV-006-FC-1	1
③	三位塑料浮动框架 (abc)	HPDF-03-F-2	1



Number	Product Name	Product Model	Quantity
①	HM070-002冷压连接公模块	HM070-002-MC-1	2
②	HMEHV-006冷压连接公模块	HMEHV-006-MC-1	1
③	三位塑料浮动框架 (ABC)	HPDF-03-M-2	1
④	浮动垫圈	/	4

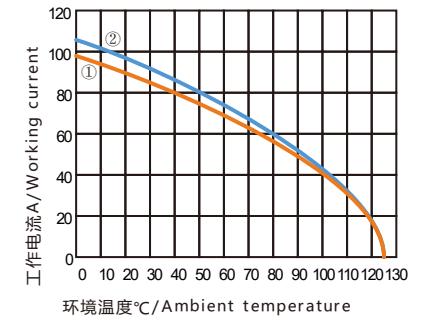
插芯 Inserts 可与框架及其他所有模块产品组合使用 Combination with hinged frame and other modules possible.

技术参数 Technical Characteristics

规范	Specifications	DIN EN 60 664 / DIN EN 61 984
插芯 Inserts		
接插件针数	Number Of Contacts	2
依据 EN 61 984 的电气数据	Electrical Data Acc. To EN 61 984	
额定电流	Rated Current	70A
额定电压	Rated Voltage	1000V
额定脉冲电压	Rated Impulse Voltage	8KV
污染程度	Pollution Degree	3
绝缘电阻	Insulation Resistance	$\geq 10^{10}\Omega$
材料	Material	聚碳酸酯 Polycarbonate
工作温度范围	Limiting Temperatures	-40°C...+125°C
依据UL 94的阻燃等级	Flammability Acc. To UI94	V0
可拔插次数	Mechanical Working Life-mating Cycles	≥ 500
插针 Contacts		
材料	Material	铜合金 Copper Alloy
表面处理	Surface	镀银 Hard-silver Plated
接触电阻	Contact Resistance	$\leq 0.3m\Omega$
冷压连接	Crimp Terminal	
mm ²	mm ²	10-25mm ²
剥线长度	Stripping length	15.5mm
最大电缆直径	Max. insulation diameter	11mm

电流负载能力
Current Carrying Capacity

电流负载能力所受的限制主要来自包含接插件的接插体可承受的最大温度。
测试和控制过程依据 DIN EN 60512-5。
The current carrying is limited by maximum temperature of materials for Inserts and contacts including terminals.
Measuring and testing techniques according to DINEN 60512-5.

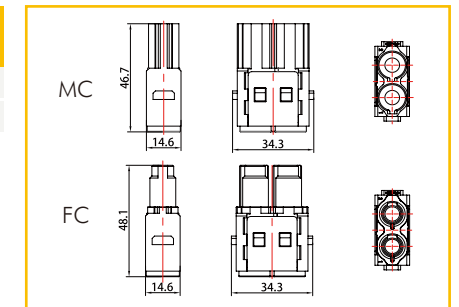


- ① 24B外壳带6个模块, 导线截面: 16mm²
- ② 24B外壳带6个模块, 导线截面: 25mm²
- ① 24 B hoods/housings with 6 modules, wire gauge: 16mm²
- ② 24 B hoods/housings with 6 modules, wire gauge: 25mm²

冷压连接 / Crimp Terminal



Inserts	Product Model	Order No.
Male	HM070-002-MC	1 007 04 0000033
Female	HM070-002-FC	1 007 04 0000034

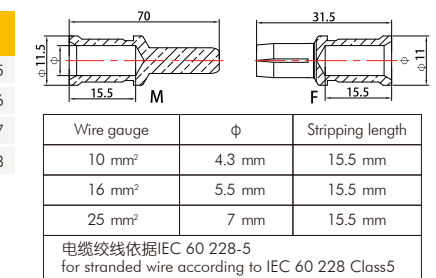


附件 Accessories

接触电阻 $\leq 0.5 m\Omega$ / Contact resistance $\leq 0.5 m\Omega$

镀银 silver plated

Contact	Product Model	Order No.	Contact	Product Model	Order No.
Male	CSM70-6.0	1 007 06 0000045	Female	CSF70-6.0	1 007 07 0000045
	CSM70-10	1 007 06 0000046		CSF70-10	1 007 07 0000046
	CSM70-16	1 007 06 0000047		CSF70-16	1 007 07 0000047
	CSM70-25	1 007 06 0000048		CSF70-25	1 007 07 0000048

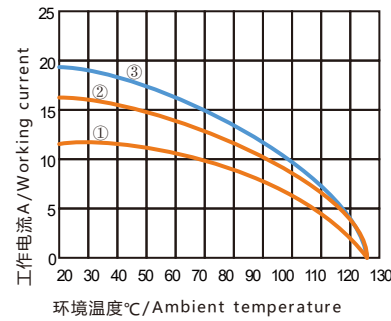


插芯 Inserts 可与框架及其他所有模块产品组合使用 Combination with hinged frame and other modules possible.

技术参数 Technical Characteristics

规范	Specifications	DIN EN 60 664 / DIN EN 61 984
插芯	Inserts	
接插件针数	Number Of Contacts	6
依据 EN 61 984 的电气数据	Electrical Data Acc. To EN 61 984	
额定电流	Rated Current	16A
额定电压	Rated Voltage	830V
额定脉冲电压	Rated Impulse Voltage	8KV
污染程度	Pollution Degree	3
绝缘电阻	Insulation Resistance	$\geq 10^{10}\Omega$
材料	Material	聚碳酸酯 Polycarbonate
工作温度范围	Limiting Temperatures	-40℃...+125℃
依据 UL 94 的阻燃等级	Flammability Acc. To UI94	V0
可拔插次数	Mechanical Working Life-mating Cycles	≥ 500
插针	Contacts	
材料	Material	铜合金 Copper Alloy
表面处理	Surface	镀银 Hard-silver Plated 镀金 Hard-gold Plated
接触电阻	Contact Resistance	$\leq 1\text{m}\Omega$
冷压连接	Crimp Terminal	
mm ²	mm ²	0.14-4mm ²
AWG	AWG	26-12

电流负载能力
Current Carrying Capacity
电流负载能力所受的限制主要来自包含接插针的接插体可承受的最大温度。
测试和控制过程依据 DIN EN 60512-5。
The current carrying is limited by maximum temperature of materials for Inserts and contacts including terminals.
Measuring and testing techniques according to DIN EN 60512-5.

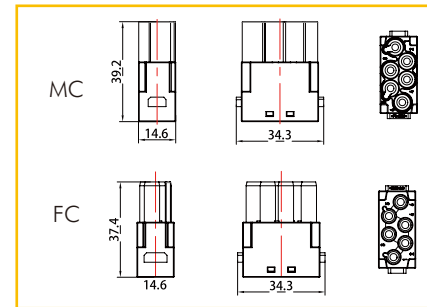


环境温度℃/Ambient temperature
①24B外壳带6个模块，导线截面：1.5mm²
②24B外壳带6个模块，导线截面：2.5mm²
③24B外壳带6个模块，导线截面：4.0mm²
① 24 B hoods/housings with 6 modules, wire gauge: 1.5mm²
② 24 B hoods/housings with 6 modules, wire gauge: 2.5mm²
③ 24 B hoods/housings with 6 modules, wire gauge: 4.0mm²

冷压连接 / Crimp Terminal



Inserts	Product Model	Order No.
Male	HMEHV-006-MC-1	1 007 04 000061
Female	HMEHV-006-FC-1	1 007 04 000062

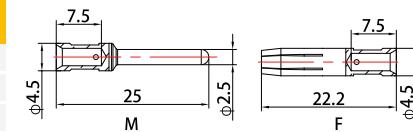


附件 Accessories

接触电阻 $\leq 1\text{m}\Omega$ / Contact resistance $\leq 1\text{m}\Omega$

镀银 silver plated

Contact	Product Model	Order No.	Contact	Product Model	Order No.
Male	CESM-0.37	101 019 110 0301	Female	CESF-0.37	101 019 120 0301
	CESM-0.50	101 019 110 0401		CESF-0.50	101 019 120 0401
	CESM-0.75	101 019 110 0601		CESF-0.75	101 019 120 0601
	CESM-1.0	101 019 110 0801		CESF-1.0	101 019 120 0801
	CESM-1.5	101 019 110 0901		CESF-1.5	101 019 120 0901
	CESM-2.5	101 019 110 1001		CESF-2.5	101 019 120 1001
	CESM-3.0	101 019 110 1101		CESF-3.0	101 019 120 1101
	CESM-4.0	101 019 110 1201		CESF-4.0	101 019 120 1201



接触电阻 $\leq 1\text{m}\Omega$ / Contact resistance $\leq 1\text{m}\Omega$

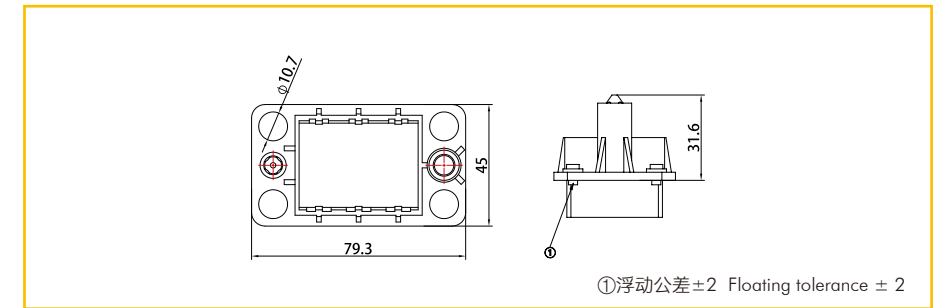
镀金 gold plated

Contact	Product Model	Order No.	Contact	Product Model	Order No.
Male	CEGM-0.37	101 019 210 0301	Female	CEGF-0.37	101 019 220 0301
	CEGM-0.50	101 019 210 0401		CEGF-0.50	101 019 220 0401
	CEGM-0.75	101 019 210 0601		CEGF-0.75	101 019 220 0601
	CEGM-1.0	101 019 210 0801		CEGF-1.0	101 019 220 0801
	CEGM-1.5	101 019 210 0901		CEGF-1.5	101 019 220 0901
	CEGM-2.5	101 019 210 1001		CEGF-2.5	101 019 220 1001
	CEGM-3.0	101 019 210 1101		CEGF-3.0	101 019 220 1101
	CEGM-4.0	101 019 210 1201		CEGF-4.0	101 019 220 1201

Product Model	Wire gauge	Stripping length
CESM-0.37/CECF-0.37 CEGM-0.37/CEGF-0.37	0.14-0.37 mm ²	AWG26-22 7.5 mm
CESM-0.5/CECF-0.5 CEGM-0.5/CEGF-0.5	0.5 mm ²	AWG20 7.5 mm
CESM-0.75/CECF-0.75 CEGM-0.75/CEGF-0.75	0.75 mm ²	AWG18 7.5 mm
CESM-1.0/CECF-1.0 CEGM-1.0/CEGF-1.0	1 mm ²	AWG18 7.5 mm
CESM-1.5/CECF-1.5 CEGM-1.5/CEGF-1.5	1.5 mm ²	AWG16 7.5 mm
CESM-2.5/CECF-2.5 CEGM-2.5/CEGF-2.5	2.5 mm ²	AWG14 7.5 mm
CESM-3.0/CECF-3.0 CEGM-3.0/CEGF-3.0	3 mm ²	AWG12 7.5 mm
CESM-4.0/CECF-4.0 CEGM-4.0/CEGF-4.0	4 mm ²	AWG12 7.5 mm

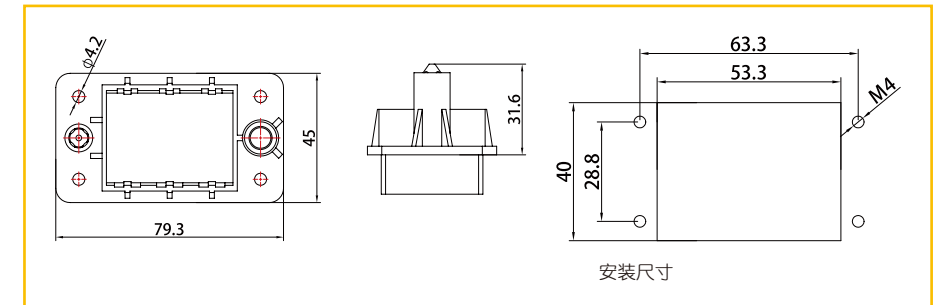
三位浮动框架（活动端） / Tri-Positioning Plastic Floating Frame (Floating)

Introduction	Marking	Product Model	Order No.
用于3个模块	A-C	HPDF-03-M-2	1007050000039



三位浮动框架（固定端） / Tri-Positioning Plastic Floating Frame (Fixed)

Introduction	Marking	Product Model	Order No.
用于3个模块	a-c	HPDF-03-F-2	1007050000040

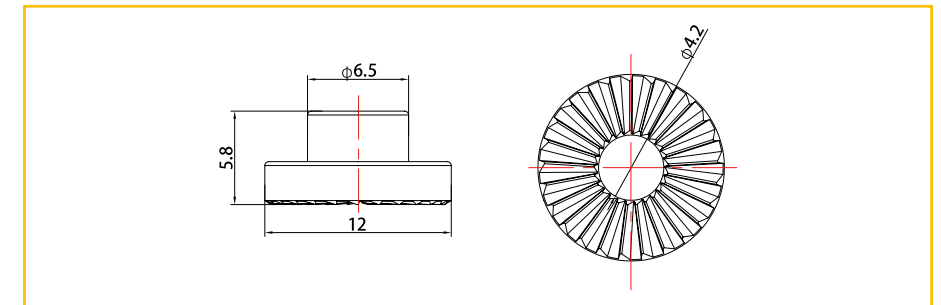


附件 Accessories

浮动垫圈 / Float washer



简介：便于让浮动框架使用标准M4螺钉后实现浮动安装
Note: available for floating match installation with standard M4 bolts

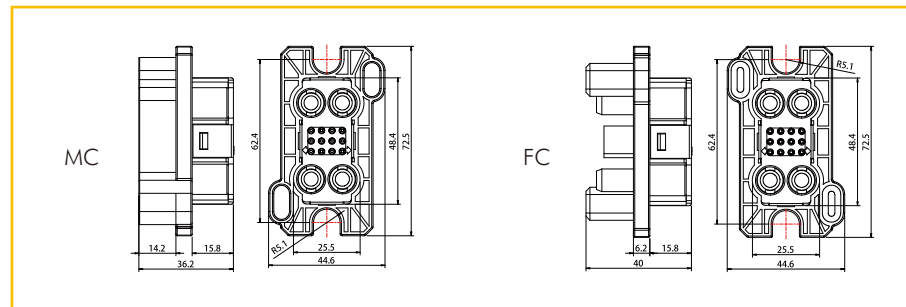


技术参数 Technical Characteristics

插芯 Inserts	
接插件针数	Number Of Contacts: 4芯 (电源) + 12芯 (通讯) 4 Pins(power) + 12 Pins(communication)
依据 EN 61 984的电气数据	Electrical Data Acc. To EN 61 984
额定电流	Rated Current: 4芯 (70A) + 12芯 (2A) 4 cores (70A)+12 cores (2A)
额定电压	Rated Voltage: 1000V
额定脉冲电压	Rated Impulse Voltage: 8KV
污染程度	Pollution Degree: 3
绝缘电阻	Insulation Resistance: $\geq 5 \times 10^8 \Omega$
材料	Material: 尼龙 Polyamide
工作温度范围	Limiting Temperatures: -25°C...+85°C
依据UL 94的阻燃等级	Flammability Acc. To UI94: V0
可拔插次数	Mechanical Working Life-mating Cycles: ≥ 500
插针 Contacts	
材料	Material: 铜合金 Copper Alloy
表面处理	Surface: 4芯 (镀银 Hard-silver Plated) + 12芯 (镀金 Hard-gold Plated)
接触电阻	Contact Resistance: 4芯 ($\leq 0.5m\Omega$) + 12芯 ($\leq 5m\Omega$)
冷压连接	Crimp Terminal
电源	Power: 10-16mm ²
剥线长度	Stripping length: 10mm
最大电缆直径	Max. insulation diameter: 7.5mm
通讯	Signal: 0.25-0.34mm ²
剥线长度	Stripping length: 4mm
最大电缆直径	Max. insulation diameter: 1.6mm

冷压连接 / Crimp Terminal

Inserts	Product Model	Order No.	Inserts	Product Model	Order No.
Male	F20HM04070M12002	1010080000002	Female	F20HF04070F12002	1010080000001

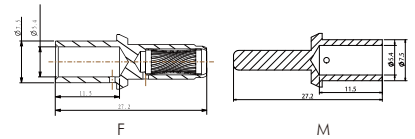


附件 Accessories

接触电阻 $\leq 0.5 m\Omega$ / Contact resistance $\leq 0.5 m\Omega$

镀银 silver plated

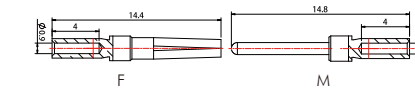
Inserts	Product Model	Order No.	Inserts	Product Model	Order No.
Male	FS070M-16	1010090000001	Female	FS070F-16	1010090000002



接触电阻 $\leq 5 m\Omega$ / Contact resistance $\leq 5 m\Omega$

镀金 gold plated

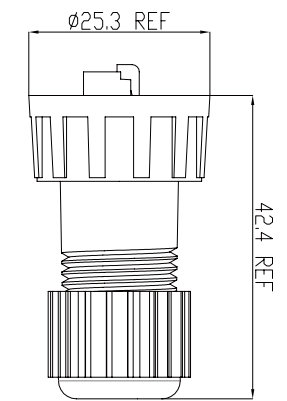
Inserts	Product Model	Order No.	Inserts	Product Model	Order No.
Male	FG002M-0.34	1010090000003	Female	FG002F-0.34	1010090000004



RJ45插头
RJ45 Plug

→ RJ45

接线标准 Standard:	TIA/EIA-568-B
类型 Type:	活动端 Free
额定电压 Rate Voltage:	150V AC
额定电流 Rate current:	1.5A
接触电阻 Contact resistance:	30m Ω
绝缘电阻 Insulation resistance:	500M Ω
耐电压 Dielectric Withstanding Voltage:	1000V AC
工作温度 Temperature Range:	-25°C~+55°C
耐久性 Durability:	750 times
环保 Pro-environment:	ROHS
防护等级 IP Rating:	IP67
外壳体材料 Nut:	塑料 PA66
接触件材料 Contacts:	铜合金 Brass
接线尺寸 Wire size:	23AWG~24AWG

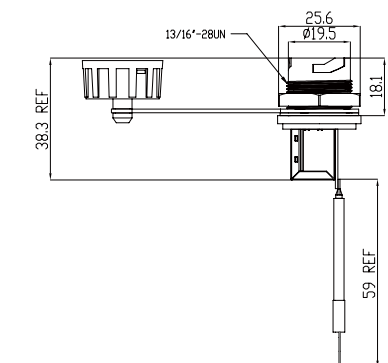


Product Model	Order No.
BEST-EFT201100	5100200000001

RJ45插座
RJ45 Receptacle

→ RJ45

接线标准 Standard:	TIA/EIA-568-B
类型 Type:	固定端 Fixed
额定电压 Rate Voltage:	150V AC
额定电流 Rate current:	1.5A
接触电阻 Contact resistance:	30m Ω
绝缘电阻 Insulation resistance:	500M Ω
耐电压 Dielectric Withstanding Voltage:	1000V AC
工作温度 Temperature Range:	-40°C~+85°C
耐久性 Durability:	750 times
环保 Pro-environment:	ROHS
防护等级 IP Rating:	IP67
外壳体材料 Nut:	塑料 PA66
接触件材料 Contacts:	铜合金 Brass



Product Model	Order No.
BEST-EFZ220301	5100100000001

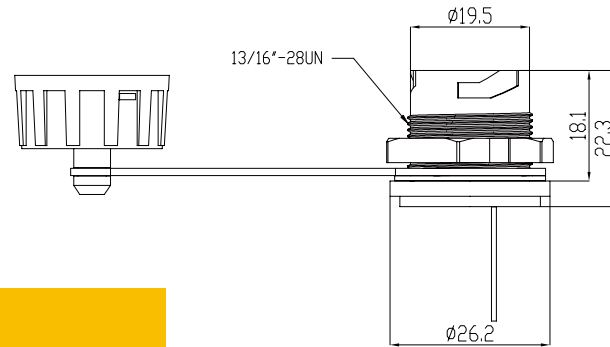
RJ45带线插座

RJ45 Receptacle With Wire



→ RJ45

接线标准 Standard:	TIA/EIA-568-B
类型 Type:	固定端 Fixed
额定电压 Rate Voltage:	150V AC
额定电流 Rate current:	1.5A
接触电阻 Contact resistance:	30mΩ
绝缘电阻 Insulation resistance:	500MΩ
耐电压 Dielectric Withstanding Voltage:	1000V AC
工作温度 Temperature Range:	-40℃~+85℃
耐久性 Durability:	750 times
环保 Pro-environment:	ROHS
防护等级 IP Rating:	IP67
外壳体材料 Nut:	塑料 PA66
接触件材料 Contacts:	铜合金 Brass



Product Model	Order No.
BEST-EFZ201100	5100100000001



穿墙式接线端子

Specification Of Products



应用领域 Application

- 电源, 滤波器, 逆变器, 电器控制柜等电子设备
power supply, filter, inverter, electrical control cabinet and other electronic equipment

特性 Features

- 连接牢固可靠 The connection is secure and reliable
- 安装简易方便 Easy installation
- 接线安全性高 High wiring safety
- 抗腐蚀性强 Strong corrosion resistance
- 绝缘外壳牢固耐用, 阻燃等级高 The insulation shell is firm and durable, with a high flame retardant grade
- 良好的电气性能和机械性能 Good electrical performance and mechanical properties
- 防护等级高 High electrical protection level
- 可同时连接多组不同线路, 每组可接不同规格导线

Three group of different lines can be connected at the same time, and each group can be connected with wires of different specifications

在开始安装前，请仔细阅读所有说明。
Please read all instructions carefully before installation.

安装举例 (BST-200A-3PIN)

1

将端子安装进面板上矩形预留孔内，与面板贴平。
Install the terminals into the rectangular reservation on the panel matching panel flatness.

2

用6个M6螺丝通过装配孔固定在面板上，而后安装堵塞头。
Attach six M6 screws to the panel through the the fitting hole hole, and finally press the plug head into the hole.

3

柜内接线时，M8十字螺丝逆时针拧出，接入线束，而后使用相应工具将螺栓拧紧至标准安装扭力。
Turn the M8 screw counterclockwise with the cross screwdriver, connect the wiring harness, fasten with torque wrench in standard installation torque.

4

外部接线时将M12螺母逆时针拧出，将线束接入螺栓底部，最后拧入螺母使用相应工具将螺母拧紧至标准安装扭力。
Turn the M12 nut counterclockwise, connect the harness to the terminal bolt, finally screw in the nut tighten the nut with torque wrench in standard installation torque.

BST-200A-3PIN 穿墙式接线端子
BST-200A-3PIN Specification Of Wall-Through Terminals

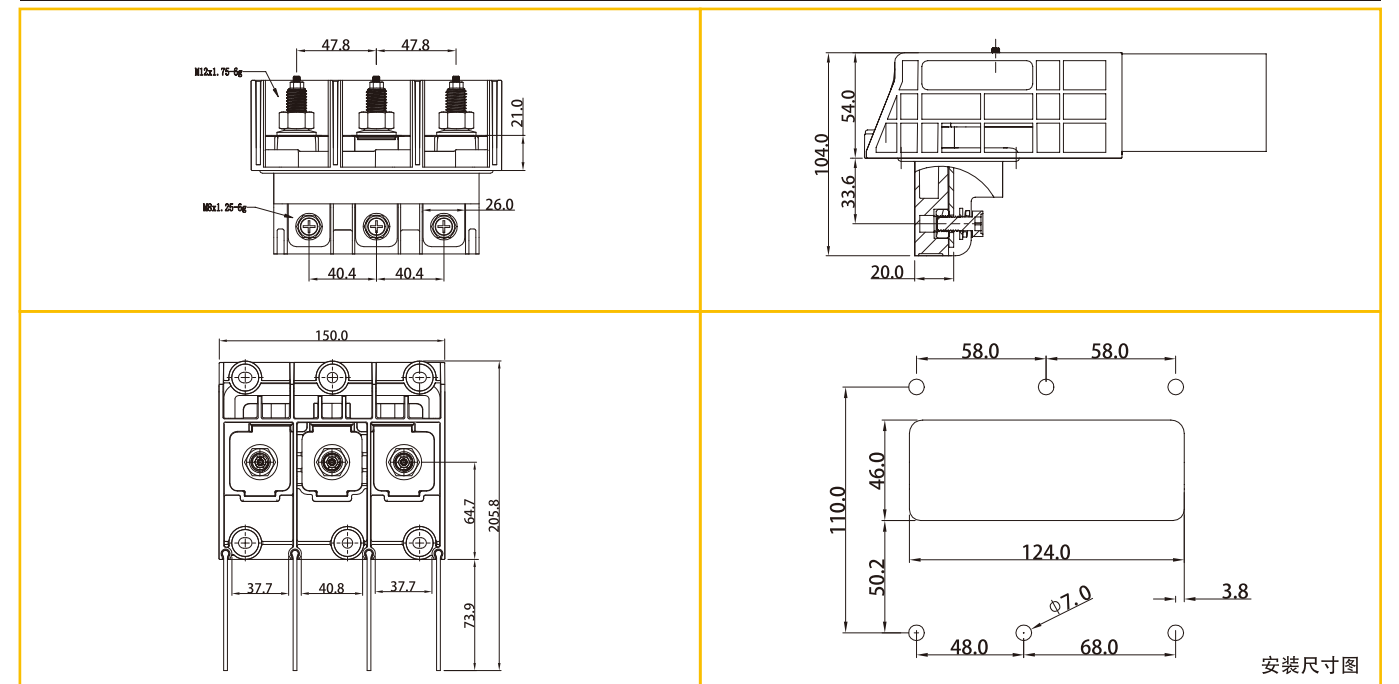
材料处理 Material processing

外壳 Shell	尼龙加纤 Nylon and fiber	挡板 Fel	硅橡胶 Silicone rubber
铜排 Copper Bar	铜、镀锡 Purple copper、Foized tin	螺栓螺母 Embedded bolt	碳钢、锌镍合金 Carbon steel、Zinc-nickel alloy
矩形型圈 Rectangular ring	硅橡胶 Silicone rubber	堵塞头 Plug head	硅橡胶 Silicone rubber

技术参数 Technical parameter

颜色 Color	黑色 Black RAL900	配合端正位度 Pin offset	±0.15mm Max
额定电流 Rated current	200A	产品盐雾测试 Product salt spray test	满足240h中性盐雾测试，满足ISO12944检验标准 Meet the 240h neutral salt spray test and meet the ISO12944 test standard
额定电压 Rated voltage	800VAC/1500VDC		
绝缘耐压 Dielectric withstand voltage	AC3000,1Min		
绝缘电阻 Insulation resistance	1500MΩ	接线范围 Wiring range	M12 (50-240mm ²) M8 (35-95mm ²) M4 (2.5-10mm ²)
阻燃等级 Flame retardant grade	UL94 V-0	扭矩 Torque	M12 (40-70Nm) M8 (12-30Nm) M4 (1.2-3Nm)
防护等级 Level of protection	IP66		
环保属性 Pollution level	ROHS, REACH		
工作温度 Working temperature	-40°C to 120°C		

外形尺寸 Dimensions



BST-200A-4PIN 穿墙式接线端子

BST-200A-4PIN Specification Of Wall-Through Terminals



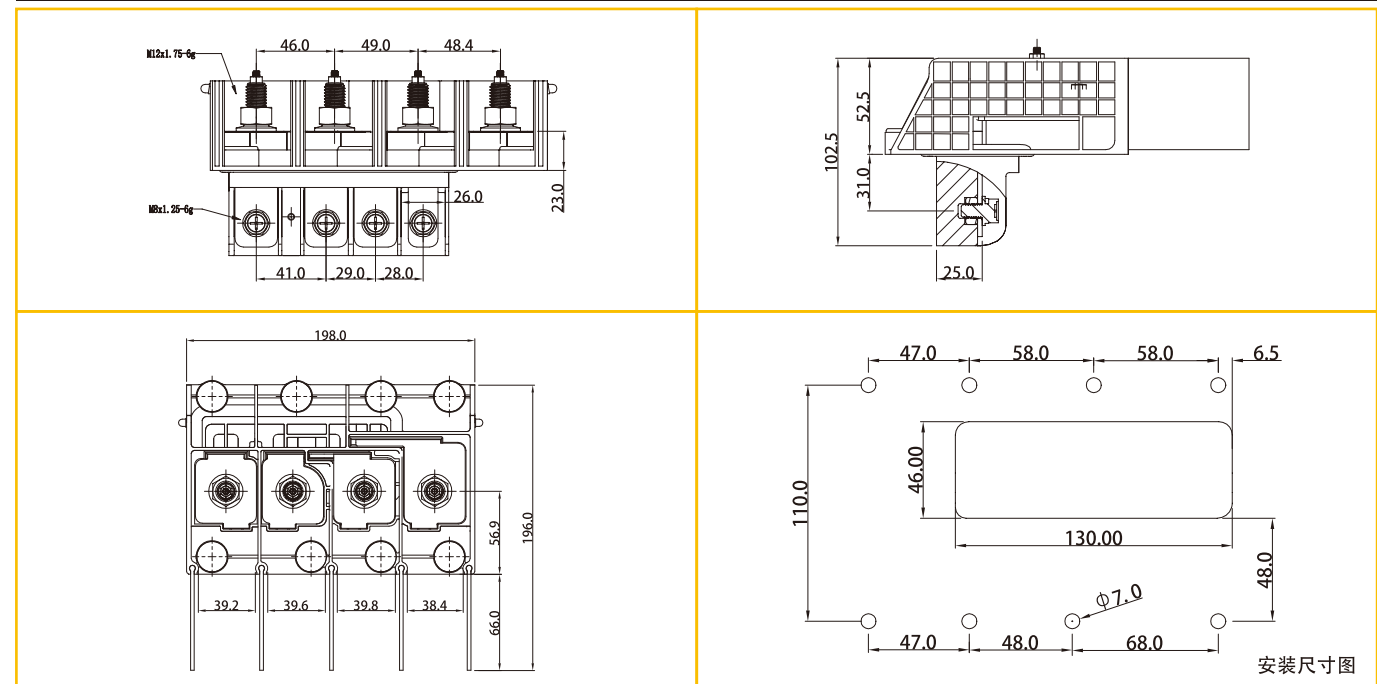
材料处理 Material processing

外壳 Shell	尼龙加纤 Nylon and fiber	挡板 Fel	硅橡胶 Silicone rubber
铜排 Copper Bar	铜、镀锡 Purple copper、Foized tin	螺栓螺母 Embedded bolt	碳钢、锌镍合金 Carbon steel、Zinc-nickel alloy
矩形型圈 Rectangular ring	硅橡胶 Silicone rubber	堵塞头 Plug head	硅橡胶 Silicone rubber

技术参数 Technical parameter

颜色 Color	黑色 Black RAL900	配合端正位置 Pin offset	±0.15mm Max
额定电流 Rated current	200A	产品盐雾测试 Product salt spray test 满足240h中性盐雾测试，满足ISO12944检验标准 Meet the 240h neutral salt spray test and meet the ISO12944 test standard	
额定电压 Rated voltage	800VAC/1500VDC		
绝缘耐压 Dielectric withstand voltage	AC3000,1Min		
绝缘电阻 Insulation resistance	1500MΩ	接线范围 Wiring range	M12 (50-240mm ²) M8 (35-95mm ²) M4 (2.5-10mm ²)
阻燃等级 Flame retardant grade	UL94 V-0	扭矩 Torque	M12 (40-70Nm) M8 (12-30Nm) M4 (1.2-3Nm)
防护等级 Level of protection	IP66		
环保属性 Pollution level	ROHS, REACH		
工作温度 Working temperature	-40°C to 120°C		

外形尺寸 Dimensions



BST-300A-3P-H 穿墙式接线端子

BST-300A-3P-H Specification Of Wall-Through Terminals

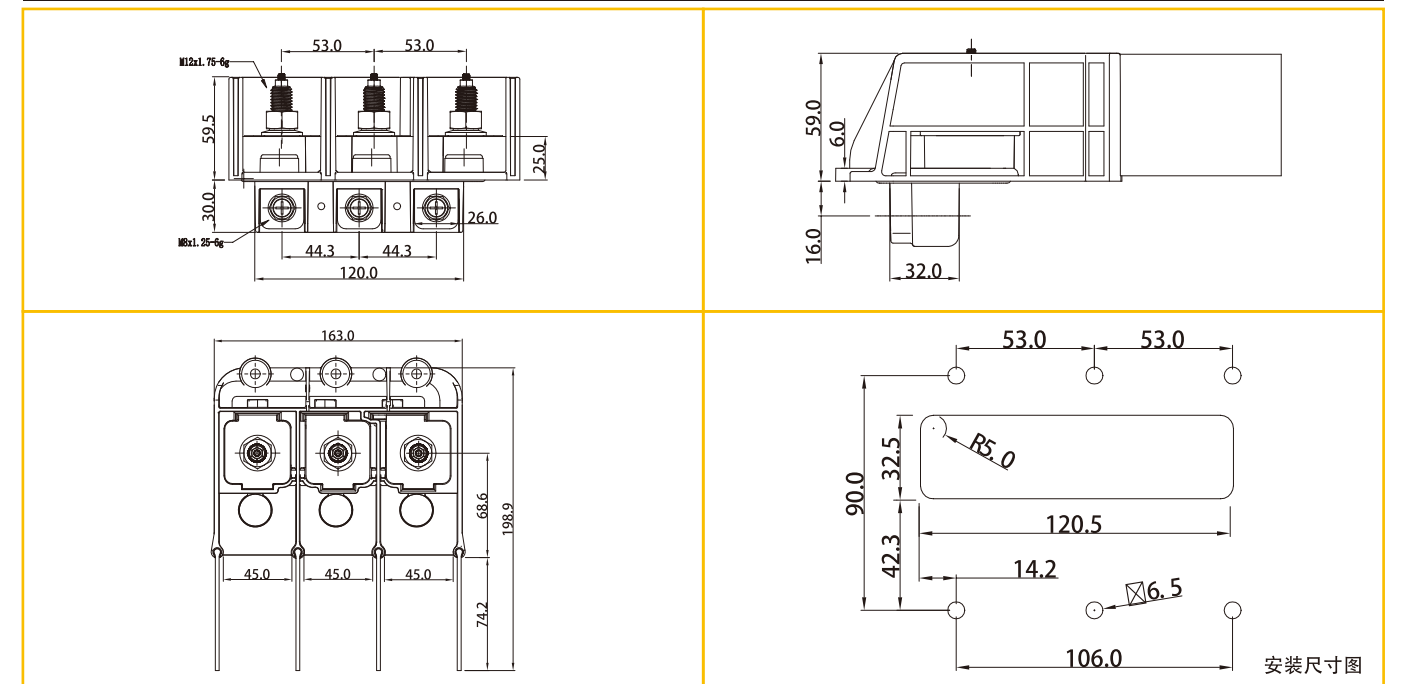
材料处理 Material processing

外壳 Shell	尼龙加纤 Nylon and fiber	挡板 Fel	硅橡胶 Silicone rubber
铜排 Copper Bar	铜、镀锡 Purple copper、Foized tin	螺栓螺母 Embedded bolt	碳钢、锌镍合金 Carbon steel、Zinc-nickel alloy
矩形型圈 Rectangular ring	硅橡胶 Silicone rubber	堵塞头 Plug head	硅橡胶 Silicone rubber

技术参数 Technical parameter

颜色 Color	黑色 Black RAL900	配合端正位置 Pin offset	±0.15mm Max
额定电流 Rated current	250A	产品盐雾测试 Product salt spray test 满足240h中性盐雾测试，满足ISO12944检验标准 Meet the 240h neutral salt spray test and meet the ISO12944 test standard	
额定电压 Rated voltage	800VAC/1500VDC		
绝缘耐压 Dielectric withstand voltage	AC3000,1Min		
绝缘电阻 Insulation resistance	1500MΩ	接线范围 Wiring range	M12 (50-400mm ²) M8 (35-95mm ²) M4 (2.5-10mm ²)
阻燃等级 Flame retardant grade	UL94 V-0	扭矩 Torque	M12 (40-70Nm) M8 (12-30Nm) M4 (1.2-3Nm)
防护等级 Level of protection	IP66		
环保属性 Pollution level	ROHS, REACH		
工作温度 Working temperature	-40°C to 120°C		

外形尺寸 Dimensions



BST-300A-3PIN 穿墙式接线端子
BST-300A-3PIN Specification Of Wall-Through Terminals



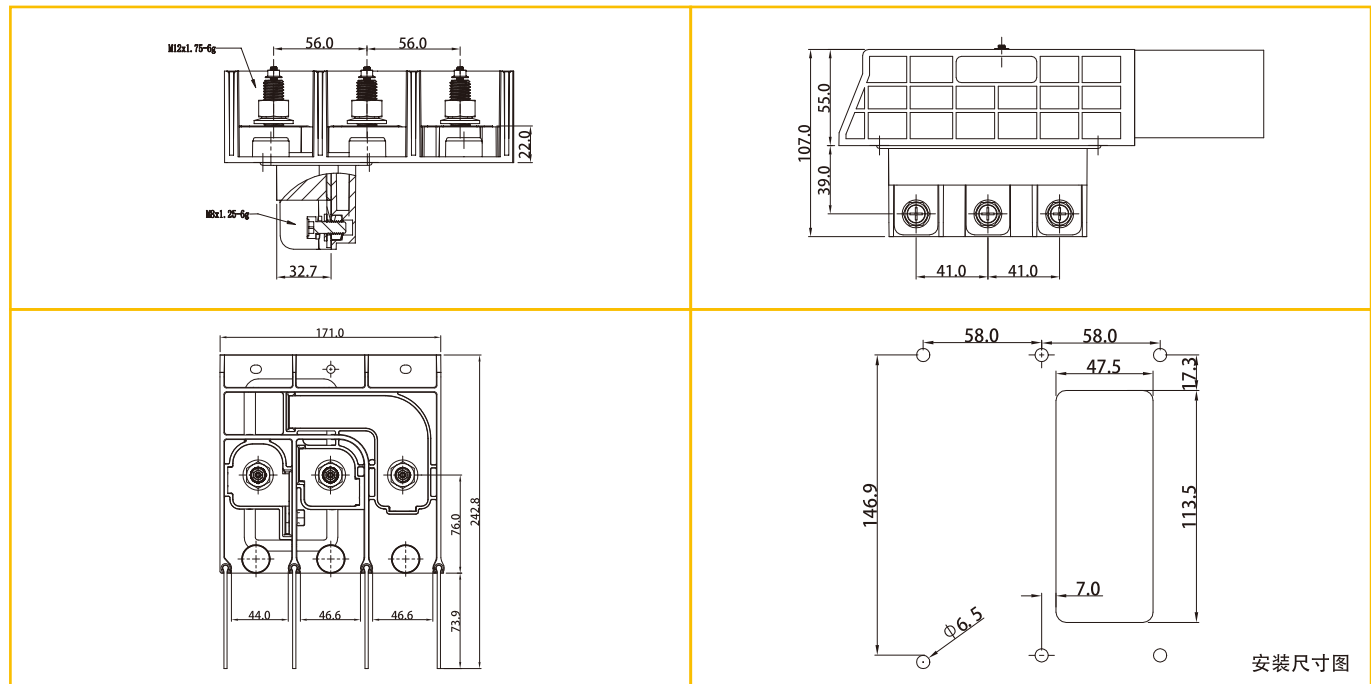
材料处理 Material processing

外壳 Shell	尼龙加纤 Nylon and fiber	挡板 Fel	硅橡胶 Silicone rubber
铜排 Copper Bar	铜、镀锡 Purple copper、Foized tin	螺栓螺母 Embedded bolt	碳钢、锌镍合金 Carbon steel、Zinc-nickel alloy
矩形型圈 Rectangular ring	硅橡胶 Silicone rubber	堵塞头 Plug head	硅橡胶 Silicone rubber

技术参数 Technical parameter

颜色 Color	黑色 Black RAL900	配合端正位置 Pin offset	±0.15mm Max
额定电流 Rated current	250A	产品盐雾测试 Product salt spray test	满足240h中性盐雾测试，满足ISO12944检验标准 Meet the 240h neutral salt spray test and meet the ISO12944 test standard
额定电压 Rated voltage	800VAC/1500VDC		
绝缘耐压 Dielectric withstand voltage	AC3000,1Min		
绝缘电阻 Insulation resistance	1500MΩ	接线范围 Wiring range	M12 (50-400mm ²) M8 (35-95mm ²) M4 (2.5-10mm ²)
阻燃等级 Flame retardant grade	UL94 V-0		
防护等级 Level of protection	IP66	扭矩 Torque	M12 (40-70Nm) M8 (12-30Nm) M4 (1.2-3Nm)
环保属性 Pollution level	ROHS, REACH		
工作温度 Working temperature	-40°C to 120°C		

外形尺寸 Dimensions



BST-150A-5PIN 穿墙式接线端子
BST-150A-5PIN Specification Of Wall-Through Terminals



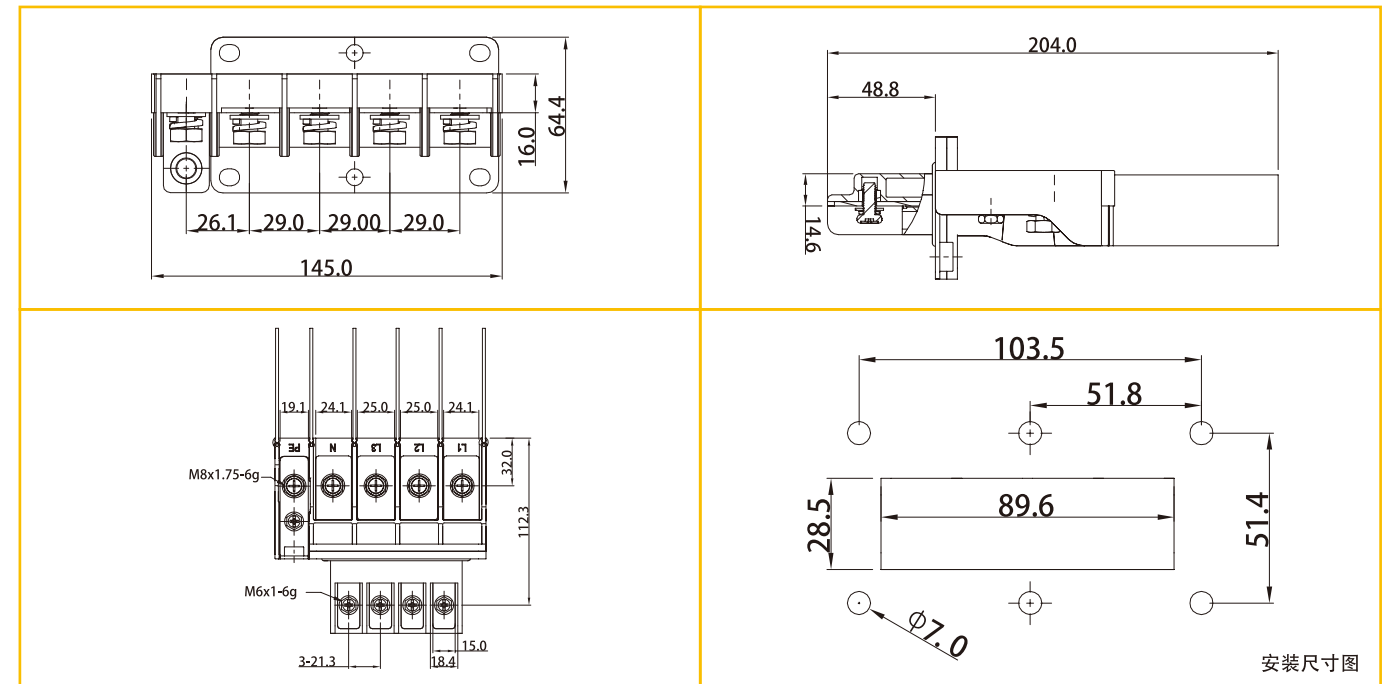
材料处理 Material processing

外壳 Shell	尼龙加纤 Nylon and fiber	挡板 Fel	硅橡胶 Silicone rubber
铜排 Copper Bar	铜、镀锡 Purple copper、Foized tin	螺栓螺母 Embedded bolt	碳钢、锌镍合金 Carbon steel、Zinc-nickel alloy
矩形型圈 Rectangular ring	硅橡胶 Silicone rubber	预埋螺母 Embedded nut	铜 Copper

技术参数 Technical parameter

颜色 Color	黑色 Black RAL900	配合端正位置 Pin offset	±0.15mm Max
额定电流 Rated current	150A	产品盐雾测试 Product salt spray test	满足48h中性盐雾测试，满足ISO12944检验标准 Meet the 48h neutral salt spray test and meet the ISO12944 test standard
额定电压 Rated voltage	500VAC		
绝缘耐压 Dielectric withstand voltage	AC1500,1Min		
绝缘电阻 Insulation resistance	1000MΩ	接线范围 Wiring range	M8 (35-95mm ²) M6 (16-25mm ²)
阻燃等级 Flame retardant grade	UL94 V-0		
防护等级 Level of protection	IP66	扭矩 Torque	M8 (12-30Nm) M6 (5-13Nm) M4 (1.2-3Nm)
环保属性 Pollution level	ROHS, REACH		
工作温度 Working temperature	-40°C to 85°C		

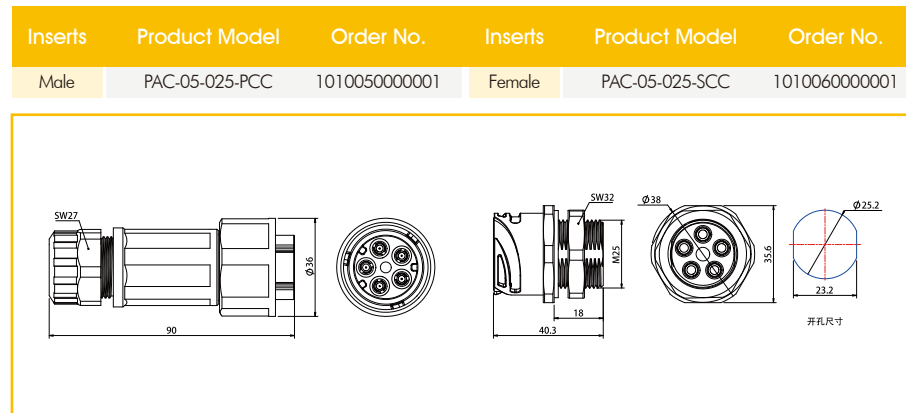
外形尺寸 Dimensions



技术参数 Technical Characteristics

插芯 Inserts		
接插件针数	Number Of Contacts	5芯
依据 EN 61 984的电气数据	Electrical Data Acc. To EN 61 984	
额定电流	Rated Current	25A
额定电压	Rated Voltage	500V
额定脉冲电压	Rated Impulse Voltage	6KV
污染程度	Pollution Degree	3
绝缘电阻	Insulation Resistance	$\geq 5 \times 10^9 \Omega$
材料	Material	尼龙 Polyamide
工作温度范围	Limiting Temperatures	-25°C...+85°C
依据UL 94的阻燃等级	Flammability Acc. To UI94	V0
可拔插次数	Mechanical Working Life-mating Cycles	≥ 100
插针 Contacts		
材料	Material	铜合金 Copper Alloy
表面处理	Surface	镀银 Hard-silver Plated
接触电阻	Contact Resistance	$\leq 5m\Omega$
冷压连接	Crimp Terminal	
接线范围	Wiring range	4-6mm ²
剥线长度	Stripping length	6mm
最大线芯直径	Max. insulation diameter	5mm
螺钉连接	Screw connection	
接线范围	Wiring range	4-6mm ²
剥线长度	Stripping length	8mm
最大电缆直径	Max. jacket diameter	14mm

冷压连接 / Crimp Terminal



液冷解决方案
Liquid Cooling Solution



液冷快速连接器
Liquid Cooling Quick Connector



推拉式流体连接器
Push Pull Type Fluid Connector



液冷管路
Liquid Cooling Pipeline Assembly



流体 Fluid Medium

- 冷却液 Coolant
- 水-乙二醇 Glycol Water
-

安全 Safety

- 双向密封，接通/断开无泄漏。
- 高分子材料尺寸稳定，实现全生命周期安全可靠的密封。
- 尾部迫紧式的软管锁紧结构保证全生命周期无松脱及泄漏。
- Dual flow sealing, switch on/off with no leakage.
- Polymer material makes stable model sizing and achieve the secure and reliable sealing within entire working life cycle.
- The conduit tail tight locking structure ensures neither leakage nor loosing all the long serving life cycle.

经济 Economy

- 精密高速成型工艺，高分子材料的应用，保证产品功能的同时，在批量生产的情况下实现了最大的经济性。
- The high-speed precision molding process technology and polymer material ensure product functionality along with achieving maximum economic efficiency in mass production.

丰富 Wide range

- 尾部接口形式多样满足您各种需求。
- 通径、接口均可以根据客户需求定制。
- Various forms of termination can meet your needs.
- Diameter, interface and color can be customized according to customer requirements.

便捷 Convenient

- 重量轻，操作便捷。
- Light weight, easy operation.

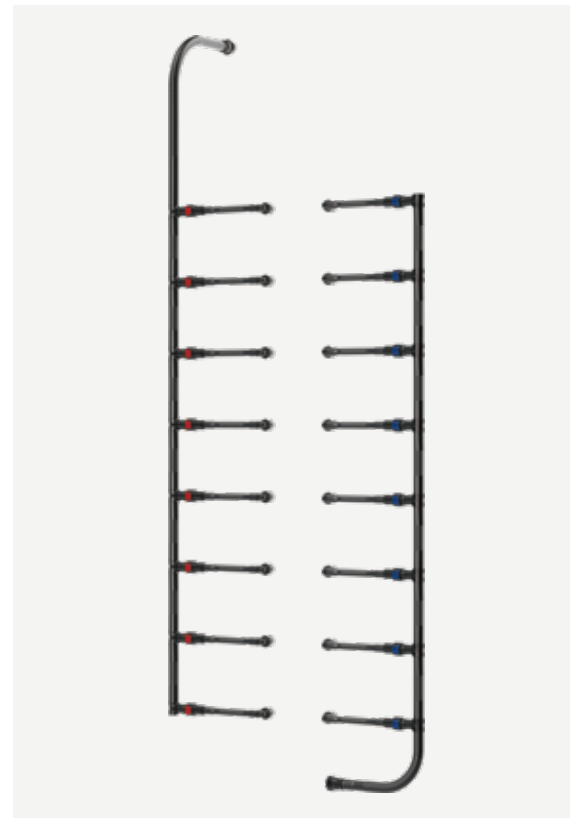
- 倍仕得为储能行业提供流体快速连接器及二、三级液冷管路整体解决方案，可为客户提供定制化服务。
- Beisit provides the overall solution of fluid quick connectors and secondary and tertiary liquid cooling pipelines for the energy storage industry, and can provide customized services for customers.



组装机 Assembly Drawing



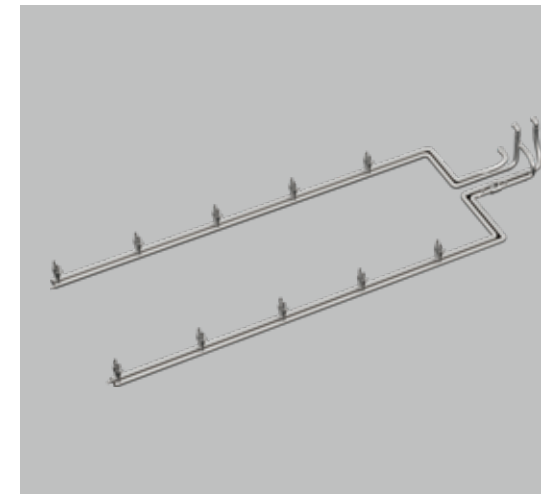
液冷管路总成 Cooling Pipeline Assembly



一级管道 Primary Pipeline

液冷一级管路主要用于连接液冷源与设备之间，一级管道采用金属硬管能够更好适应各种使用工况，使用寿命更长，在安装维护等方面更加方便。

The liquid cooling primary pipeline is mainly used to connect the liquid cooling source with the equipment. The use of metal hard pipes in the primary pipeline can better adapt to various operating conditions, have a longer service life, and be more convenient in installation and maintenance.



名称 Name	参数 Parameter	
主体材质	Material of main body	不锈钢 (304,316L)
工作温度	Working temp	-40℃~+80℃
最大工作压力	Maximum working pressure	≥20bar
阻燃等级	Flame retardant class	UL 94HB
保温棉厚度	Thickness of thermal insulation foam	≤40 mm/min
保温棉材质	Material of thermal insulation cotton	≥450 N
保温棉表面缠绕材质	Material of thermal insulation foam surface winding	≥3.5mm
介质	Medium	EPDM
规格	Specification	DN50

二、三级管道 Secondary and Tertiary Pipeline

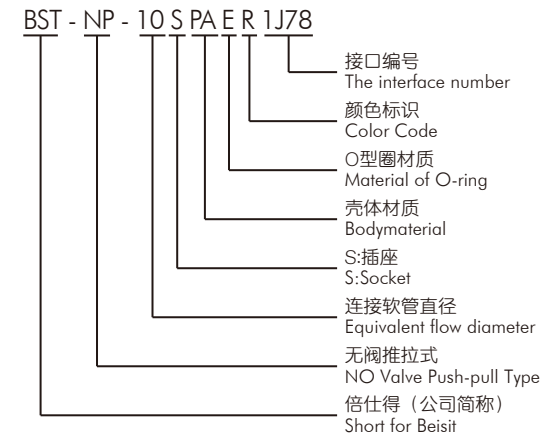
冷却管路内的冷却液带走电池与电子设备的热量，保证设备正常运行。只需要断开自密封的连接器即可快速对相应的模块进行维护或更换。连接器确保各模块之间快速且安全的连接。

The coolant in the cooling pipeline takes away the heat of the battery and the electronic equipment, ensuring the normal operation of the equipment. The corresponding module can be quickly maintained or replaced only by disconnecting the self-sealing connector. Ensure the quick and safe connection between the connectors.

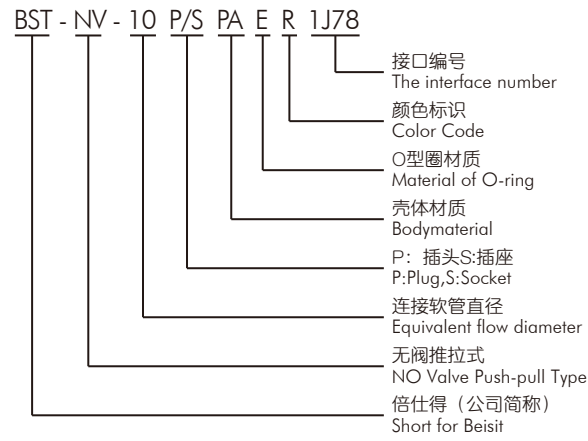


名称 Name	参数 Parameter	
主体材质	Material of main body	PA
工作温度	Working temp	-40℃~80℃
最大工作压力	Maximum working pressure	≥10 bar
阻燃等级	Flame retardant class	UL 94HB
燃烧速度	Rate of combustion	≤40 mm/min
二级及三级管路接头拉脱力	Pull force of secondary and tertiary pipe joint	≥450 N
保温棉厚度	Thickness of thermal insulation foam	3.5 mm
保温棉材质	Material of thermal insulation cotton	EPDM
保温棉表面缠绕材质	Material of thermal insulation foam surface winding	PET
介质	Medium	50%水+50%乙二醇
二级管道规格	The specification of secondary pipeline	DN25

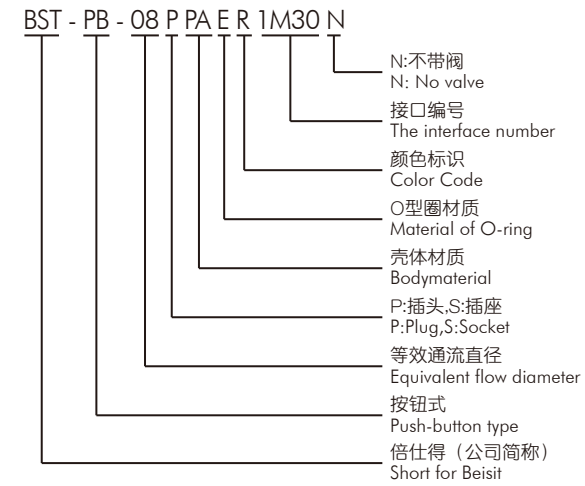
三级管道 Tertiary Pipeline		
名称 Name	参数 Parameter	
主体材质	Material of main body	PA
工作温度	Working temp	-40°C~80°C
最大工作压力	Maximum working pressure	≥10 bar
阻燃等级	Flame retardant class	UL 94HB
燃烧速度	Rate of combustion	≤40 mm/min
三级管路接头拉脱力	Pull force of tertiary pipe joint	≥450 N
保温棉厚度	Thickness of thermal insulation foam	3 mm
保温棉材质	Material of thermal insulation cotton	EPDM
保温棉表面缠绕材质	Material of thermal insulation foam surface winding	PET
介质	Medium	50%水+50%乙二醇



颜色标识 Color identification	R: 红色; Y: 黄色; G: 绿色; B: 蓝色; P: 紫色; BR: 褐色; BL: 黑色 R: Red; Y: Yellow; G: Green; B: Blue; P: Purple; BR: brown; BL: black
主体材质 Body material	AL: 铝; SS: 不锈钢; BR: 黄铜; PA: PA AL: aluminum; SS: stainless steel; BR: brass; PA: PA
O型圈材质 O-ring material	E:EPDM,三元乙丙橡胶,-20°C~+110°C; FK: FKM,氟橡胶,-10°C~+110°C; N:NBR,丁腈橡胶,-15°C~+110°C FV:FVMQ,氟硅橡胶,-40°C~+110°C; P:PTFE,聚四氟乙烯, -50°C~+110°C; C: CR, 氯丁橡胶, -40°C~+110°C FF:FFKM, 全氟橡胶, 0°C~+110°C E:EPDM,EPDM rubber,-20°C~+110°C FK:FKM, fluorocarbon rubber,-10°C~+110°C N:NBR, Nitrile rubber,-15°C~+110°C FV:FVMQ,EPDM rubber,-40°C~+110°C P:PTFE, Teflon,-50°C~+110°C C:CR, Neoprene,-40°C~+110°C FF:FFKM,Perfluoro rubber,-0°C~+110°C
连接软管直径 Connecting hose diameter	8: 连接8mm内径软管 8: Connect 8mm inner diameter hose 10: 连接10mm内径软管 10: Connect 10mm inner diameter hose 12: 连接12mm内径软管 12: Connect 12mm inner diameter hose 16: 连接16mm内径软管 16: Connect 16mm inner diameter hose 20: 连接20mm内径软管 20: Connect 20mm inner diameter hose
接口编号 The interface number	
1XXXX	-1: 内螺纹, 第二位便是螺纹类型 (M:公制, G:G型螺纹, J:美制螺纹), 后几位为螺纹大小, 如1G12。 -1: internal thread, followed by thread type (M: metric, G:G thread, J: American thread), followed by thread size, such as 1G12.
2XXXX	-2: 外螺纹, 第二位便是螺纹类型 (M:公制, G:G型螺纹, J:美制螺纹), 后几位为螺纹大小, 如2G12。 -2: external thread, followed by thread type (M: metric, G:G thread, J: American thread), followed by thread size, such as 2G12.
3XX	-3:卡箍式, 后两位为卡箍最小外径, 如319。 -3: clamp, followed by the minimum outer diameter of the clamping, such as 319.
4XXXX	-4: 法兰式, 后几位为孔位尺寸, 如43636。 -4: Flange, followed by the hole size, such as 43636.
5XXXX	-5: 为90°弯角, 后几位为螺纹或法兰孔位尺寸, 如51G12、53636。 -5: right angle, followed by the thread or flange hole size, such as 51G12 53636.
6XXXX	-6: 无具体意义, 特殊编号, 或为定制接口。 -6: customer specific.



颜色标识 Color identification	R: 红色; Y: 黄色; G: 绿色; B: 蓝色; P: 紫色; BR: 褐色; BL: 黑色 R: Red; Y: Yellow; G: Green; B: Blue; P: Purple; BR: brown; BL: black
主体材质 Body material	AL: 铝; SS: 不锈钢; BR: 黄铜; PA: PA AL: aluminum; SS: stainless steel; BR: brass; PA: PA
O型圈材质 O-ring material	E: EPDM, 三元乙丙橡胶, -20°C~+110°C; FK: FKM, 氟橡胶, -10°C~+110°C; N: NBR, 丁腈橡胶, -15°C~+110°C FV: FVMQ, 氟硅橡胶, -40°C~+110°C; P: PTFE, 聚四氟乙烯, -50°C~+110°C; C: CR, 氯丁橡胶, -40°C~+110°C FF: FFKM, 全氟橡胶, 0°C~+110°C E: EPDM, EPDM rubber, -20°C~+110°C FK: FKM, fluorocarbon rubber, -10°C~+110°C N: NBR, Nitrile rubber, -15°C~+110°C FV: FVMQ, EPDM rubber, -40°C~+110°C P: PTFE, Teflon, -50°C~+110°C C: CR, Neoprene, -40°C~+110°C FF: FFKM, Perfluoro rubber, 0°C~+110°C
连接软管直径 Connecting hose diameter	8: 连接8mm内径软管 8: Connect 8mm inner diameter hose 10: 连接10mm内径软管 10: Connect 10mm inner diameter hose 12: 连接12mm内径软管 12: Connect 12mm inner diameter hose 16: 连接16mm内径软管 16: Connect 16mm inner diameter hose 20: 连接20mm内径软管 20: Connect 20mm inner diameter hose
接口编号 The interface number	
1XXXX	-1: 内螺纹, 第二位便是螺纹类型 (M: 公制, G: G型螺纹, J: 美制螺纹), 后几位为螺纹大小, 如1G12。 -1: internal thread, followed by thread type (M: metric, G: G thread, J: American thread), followed by thread size, such as 1G12.
2XXXX	-2: 外螺纹, 第二位便是螺纹类型 (M: 公制, G: G型螺纹, J: 美制螺纹), 后几位为螺纹大小, 如2G12。 -2: external thread, followed by thread type (M: metric, G: G thread, J: American thread), followed by thread size, such as 2G12.
3XX	-3: 卡箍式, 后两位为卡箍最小外径, 如319。 -3: clamp, followed by the minimum outer diameter of the clamping, such as 319.
4XXXX	-4: 法兰式, 后几位为孔位尺寸, 如43636。 -4: Flange, followed by the hole size, such as 43636.
5XXXX	-5: 为90°弯角, 后几位为螺纹或法兰孔位尺寸, 如51G12、53636。 -5: right angle, followed by the thread or flange hole size, such as 51G12 53636.
6XXXX	-6: 无具体意义, 特殊编号, 或为定制接口。 -6: customer specific.

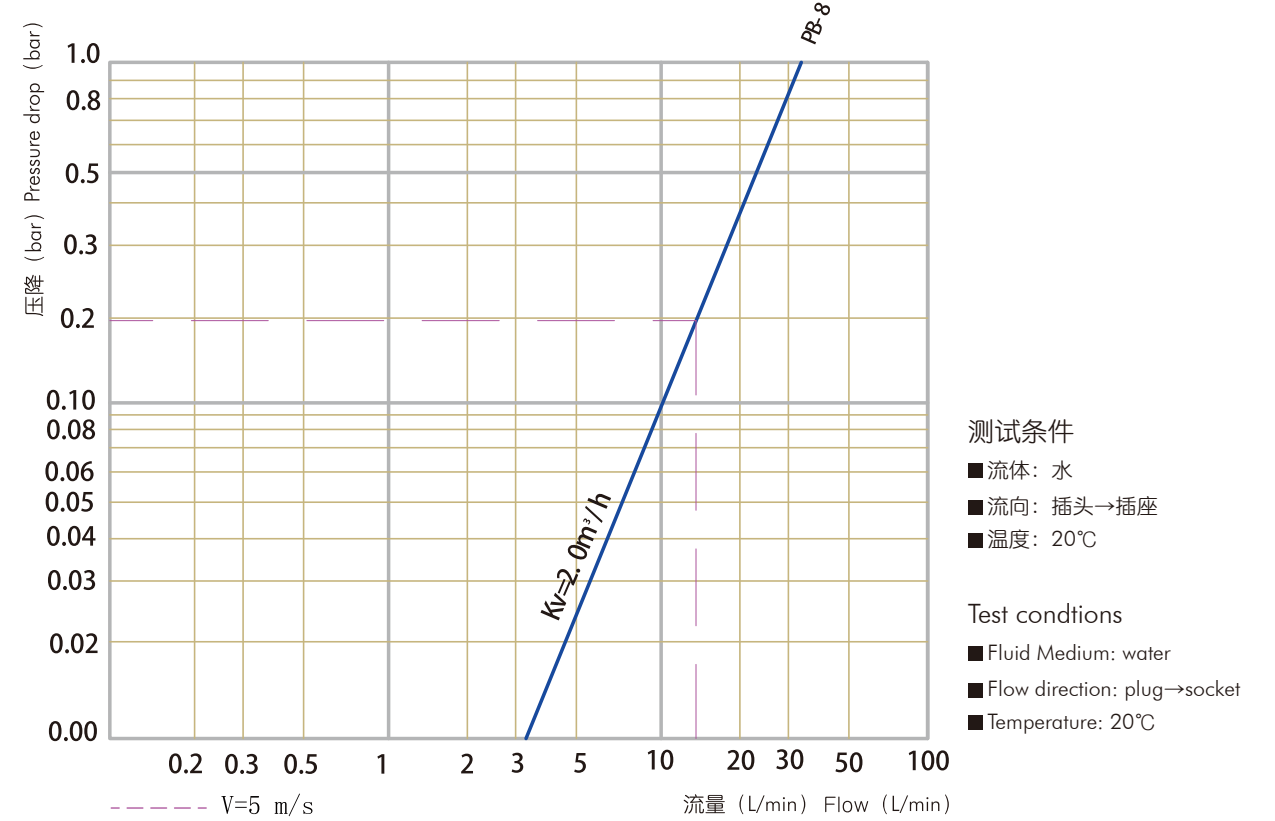


颜色标识 Color identification	R: 红色; Y: 黄色; G: 绿色; B: 蓝色; P: 紫色; BR: 褐色; BL: 黑色 R: Red; Y: Yellow; G: Green; B: Blue; P: Purple; BR: brown; BL: black
主体材质 Body material	PA: PA
O型圈材质 O-ring material	E: EPDM, 三元乙丙橡胶, -20°C~+110°C; FK: FKM, 氟橡胶, -10°C~+110°C; N: NBR, 丁腈橡胶, -15°C~+110°C FV: FVMQ, 氟硅橡胶, -40°C~+110°C; P: PTFE, 聚四氟乙烯, -50°C~+110°C; C: CR, 氯丁橡胶, -40°C~+110°C FF: FFKM, 全氟橡胶, 0°C~+110°C E: EPDM, EPDM rubber, -20°C~+110°C FK: FKM, fluorocarbon rubber, -10°C~+110°C N: NBR, Nitrile rubber, -15°C~+110°C FV: FVMQ, EPDM rubber, -40°C~+110°C P: PTFE, Teflon, -50°C~+110°C C: CR, Neoprene, -40°C~+110°C FF: FFKM, Perfluoro rubber, 0°C~+110°C
等效通流直径 Equivalent flow diameter	3: 流体有效截面积与直径3mm的圆面积相等 3: The effective cross-sectional area of the fluid is equal to the area of a circle with a diameter of 3mm 6: 流体有效截面积与直径5.5mm的圆面积相等 6: The effective cross-sectional area of the fluid is equal to the area of a circle with a diameter of 5.5mm 8: 流体有效截面积与直径8mm的圆面积相等 8: The effective cross-sectional area of the fluid is equal to the area of a circle with a diameter of 8mm 11: 流体有效截面积与直径11mm的圆面积相等 11: The effective cross-sectional area of the fluid is equal to the area of a circle with a diameter of 11mm 19: 流体有效截面积与直径19mm的圆面积相等 19: The effective cross-sectional area of the fluid is equal to the area of a circle with a diameter of 19mm
是否带阀 With valve or not	N: 不带阀 N: Without valve

接口编号 The interface number	
1XXXX	-1: 内螺纹, 第二位便是螺纹类型 (M: 公制, G: G型螺纹, J: 美制螺纹), 后几位为螺纹大小, 如1G12。 -1: internal thread, followed by thread type (M: metric, G: G thread, J: American thread), followed by thread size, such as 1G12.
2XXXX	-2: 外螺纹, 第二位便是螺纹类型 (M: 公制, G: G型螺纹, J: 美制螺纹), 后几位为螺纹大小, 如2G12。 -2: external thread, followed by thread type (M: metric, G: G thread, J: American thread), followed by thread size, such as 2G12.
3XX	-3: 卡箍式, 后两位为卡箍最小外径, 如319。 -3: clamp, followed by the minimum outer diameter of the clamping, such as 319.
4XXXX	-4: 法兰式, 后几位为孔位尺寸, 如43636。 -4: Flange, followed by the hole size, such as 43636.
5XXXX	-5: 为90°弯角, 后几位为螺纹或法兰孔位尺寸, 如51G12、53636。 -5: right angle, followed by the thread or flange hole size, such as 51G12 53636.
6XXXX	-6: 无具体意义, 特殊编号, 或为定制接口。 -6: customer specific.

工作温度 Working temperature	-40°C-+95°C	壳体材料种类 Body material	PA
交变湿热 Alternating humidity and heat	240h	密封件材料种类 Sealing material	丁腈橡胶、三元乙丙橡胶、氟硅橡胶可选 EPDM rubber, fluorosilicone rubber, fluorine-carbon rubber
盐雾测试 Salt spray test	≥168h	振动测试 Vibration test	按GJB360B-2009方法214, 连接器承受1MPa压力无泄漏 according to GJB360B-2009 method 214, the connector is subjected to 1MPa pressure without leakage
机械寿命 Mating cycle	3000次插拔 3000 times of plugging	冲击测试 Impact test	按GJB360B-2009方法213, 连接器承受1MPa压力无泄漏 according to GJB360B-2009 method 213, the connector is subjected to 1MPa pressure without leakage

产品型号 Product model	PP-8	PB-8	NV-8	NP-10	NP-16
最大工作压力 (bar) Maximum working pressure (bar)	20	20	20	20	20
最小爆破压力 (MPa) Minimum burst pressure (MPa)	3	3	3	3	3
流量系数 (m³/h) Flow coefficient (m³/h)	1.6	2.1	2.0	1.6	2.5
最大工作流量 (L/Min) Maximum working flow (L/Min)	15	15	15	15	40
单次插拔最大泄露量 (ml) Maximum leakage (ml)	0.3	0.3	/	/	/
最大插合力 (N) Maximum insertion force (N)	100	100	60	60	60



以上数据仅供参考，具体参数以产品规格书为准。The above parameters are for reference only, the specific parameters shall be subject to the product specifications.

→ PP-8



插头货号 Plug Item No.	插头接口编号 Plug interface number	总长L1 Total length L1 (mm)	接口长度L3 Interface length L3 (mm)	最大直径φD1 Maximum diameter φD1 (mm)	接口形式 Interface form
PP-8PPAER2M20	2M20	50.5	16.5	29	M20X1.5外螺纹

插座货号 Socket Item No.	插座接口编号 Socket interface number	总长L2 Total length L2 (mm)	接口长度L4 Interface length L4 (mm)	最大外形尺寸L5 Maximum external dimension L5 (mm)	最大直径φD2 Maximum diameter φD2 (mm)	接口形式 Interface form
PP-8SPAER5310	5310	58	29	60	35	适配10mm内径软管
PP-8SPAER2G38	2G38	72.5	11	/	35	G3/8外螺纹
PP-8SPAER310A	310A	81.5	24	/	35	适配内径10mm, 外径13.5mm软管
PP-8SPAER36	36	126	68	/	35	适配内径6mm, 外径10mm软管

温馨提示 Notes

- 以上插头插座可任意组合, 整体(组合、成套)货号可两项相加如: PP-8PPAER2M20+PP-8SPAER5310。
The above plugs and sockets can be combined in any way, and the combined article number can be combined in two terms, such as BT-8PALER2J34+BT-8SALER42222.
- 请根据接口形式选择对应货号。
Select the corresponding article number according to the form of interface.
- 因结构或接口类型不同, 流阻不同, 流量系数仅供参考。
The flow resistance varies with the structure or interface type, and the flow coefficient is for reference only.
- 如需详细尺寸数据, 可联系我司技术人员获取。
For detailed size data, please contact our technical staff to obtain.
- 如无合适接口, 可联系我司根据客户特殊定制。
If there is no appropriate interface, you can contact our company according to the customer's special customization.

以上数据仅供参考, 具体参数以产品规格书为准。The above parameters are for reference only, the specific parameters shall be subject to the product specifications.

→ PB-8



插头货号 Plug Item No.	插头接口编号 Plug interface number	总长L1 Total length L1 (mm)	接口长度L3 Interface length L3 (mm)	最大直径φD1 Maximum diameter φD1 (mm)	接口形式 Interface form
PB-8PPAER2G14	2G14	47.9	8	29	G1/4"外螺纹
PB-8PPAER2M20	2M20	52.5	17.2	29	M20X1.5外螺纹

插座货号 Socket Item No.	插座接口编号 Socket interface number	总长L2 Total length L2 (mm)	接口长度L4 Interface length L4 (mm)	最大外形尺寸L5 Maximum external dimension L5 (mm)	最大直径φD2 Maximum diameter φD2 (mm)	接口形式 Interface form
PB-8SPAER5316	5316	57.2	26	57	35	适配16mm内径软管和14mm内径波纹管
PB-8SPAER5312	5312	57.2	26	57	35	适配14mm内径软管和12mm内径波纹管
PB-8SPAER5310	5310	57.2	26	57	35	适配10mm内径软管
PB-8SPAER5308	5308	57.2	26	57	35	适配8mm内径软管
PB-8SPAER316	316	93	31	/	35	适配16mm内径软管和14mm内径波纹管
PB-8SPAER314	314	90	27.5	/	35	适配14mm内径软管和12mm内径波纹管
PB-8SPAER310	310	86	23.5	/	35	适配10mm内径软管
PB-8SPAER308	308	86	23.5	/	35	适配8mm内径软管

以上数据仅供参考, 具体参数以产品规格书为准。The above parameters are for reference only, the specific parameters shall be subject to the product specifications.

→ PB-8

插头货号 Plug Item No.	插头接口图 Plug interface contour drawing	插头插座连接图 Plug and socket connection diagram	插座接口图 Socket interface contour drawing	插座货号 Socket Item No.
PB-8PPAER2G14				PB-8SPAER308A
				PB-8SPAER310A
				PB-8SPAER314A
PB-8PPAER2M20				PB-8SPAER316A

插头货号 Plug Item No.	插头接口编号 Plug interface number	总长L1 Total length L1 (mm)	接口长度L3 Interface length L3 (mm)	最大直径φD1 Maximum diameter φD1 (mm)	接口形式 Interface form
PB-8PPAER2G14	2G14	47.9	8	29	G1/4"外螺纹
PB-8PPAER2M20	2M20	52.5	17.2	29	M20X1.5外螺纹

插座货号 Socket Item No.	插座接口编号 Socket interface number	总长L2 Total length L2 (mm)	接口长度L4 Interface length L4 (mm)	最大直径φD2 Maximum diameter φD2 (mm)	接口形式 Interface form
PB-8SPAER308A	308A	88	30	35	适配8mm内径软管
PB-8SPAER310A	310A	84.5	27.5	35	适配10mm内径软管
PB-8SPAER314A	314A	88	31	35	适配14mm内径软管和12mm内径波纹管
PB-8SPAER316A	316A	88	31	35	适配16mm内径软管和14mm内径波纹管

防松脱尾部接口 Anti-loose tail interface



- 根据软管定制连接配合尺寸。
• Customize the connection size according to the hose.
- 软管爆裂前无泄漏。
• No leakage before hose burst.
- 软管拉断前无泄漏。
• No leakage before the hose is pulled off.

温馨提示 Notes

1. 以上插头插座可任意组合，整体(组合、成套)货号可两项相加如：PB-8PPAER2M20+PB-8SPAER5316。
The above plugs and sockets can be combined in any way, and the combined article number can be combined in two terms, such as PB-8PPAER2M20+PB-8SPAER5316.
2. 请根据接口形式选择对应货号。
Select the corresponding article number according to the form of interface.
3. 因结构或接口类型不同，流阻不同，流量系数仅供参考。
The flow resistance varies with the structure or interface type, and the flow coefficient is for reference only.
4. 如需详细尺寸数据，可联系我司技术人员获取。
For detailed size data, please contact our technical staff to obtain.
5. 如无合适接口，可联系我司根据客户特殊定制。
If there is no appropriate interface, you can contact our company according to the customer's special customization.

以上数据仅供参考，具体参数以产品规格书为准。The above parameters are for reference only, the specific parameters shall be subject to the product specifications.

→ NV-8

插头货号 Plug Item No.	插头接口图 Plug interface contour drawing	插头插座连接图 Plug and socket connection diagram	插座接口图 Socket interface contour drawing	插座货号 Socket Item No.
NV-8PPAER310				NV-8SPAER310

插头货号 Plug Item No.	插头接口编号 Plug interface number	总长L1 Total length L1 (mm)	接口长度L3 Interface length L3 (mm)	最大直径φD1 Maximum diameter φD1 (mm)	接口形式 Interface form
NV-8PPAER310	310	62.5	35.5	21.5	接内径10mm软管

插座货号 Socket Item No.	插座接口编号 Socket interface number	总长L2 Total length L2 (mm)	接口长度L4 Interface length L4 (mm)	最大外形尺寸L5 Maximum external dimension L5 (mm)	最大直径φD2 Maximum diameter φD2 (mm)
NV-8SPAER310	310	63.3	43.3	35	接内径10mm软管

温馨提示 Notes

1. 以上插头插座可任意组合，整体(组合、成套)货号可两项相加如：NV-8PPAER310+NV-8SPAER310。
The above plugs and sockets can be combined in any way, and the combined article number can be combined in two terms, such as NV-8PPAER310+NV-8SPAER310.
2. 请根据接口形式选择对应货号。
Select the corresponding article number according to the form of interface.
3. 因结构或接口类型不同，流阻不同，流量系数仅供参考。
The flow resistance varies with the structure or interface type, and the flow coefficient is for reference only.
4. 如需详细尺寸数据，可联系我司技术人员获取。
For detailed size data, please contact our technical staff to obtain.
5. 如无合适接口，可联系我司根据客户特殊定制。
If there is no appropriate interface, you can contact our company according to the customer's special customization.

以上数据仅供参考，具体参数以产品规格书为准。The above parameters are for reference only, the specific parameters shall be subject to the product specifications.

→ NP-10/16



插头货号 Plug Item No.	插头接口编号 Plug interface number	总长L1 Total length L1 (mm)	接口长度L3 Interface length L3 (mm)	最大直径ΦD1 Maximum diameter ΦD1 (mm)	接口形式 Interface form
NP-10PALE2M22	2M22	57.5	16	33	M22X1.5内螺纹
NP-16PALE2M22	2M22	56.5	16	33	M22X1.5内螺纹

插座货号 Socket Item No.	插座接口编号 Socket interface number	总长L2 Total length L2 (mm)	接口长度L4 Interface length L4 (mm)	最大外形尺寸L5 Maximum external dimension L5 (mm)	最大直径ΦD2 Maximum diameter ΦD2 (mm)
NP-10SPOE5310	5310	51.5	24.5	53	31
NP-16SPOE5310	5310	51.5	24.5	53	32

温馨提示 Notes

1. 以上插头插座可任意组合，整体(组合、成套)货号可两项相加如：NP-10PALE2M22+NP-10SPOE5310。
The above plugs and sockets can be combined in any way, and the combined article number can be combined in two terms, such as NP-10PALE2M22+NP-10SPOE5310.
2. 请根据接口形式选择对应货号。
Select the corresponding article number according to the form of interface.
3. 因结构或接口类型不同，流阻不同，流量系数仅供参考。
The flow resistance varies with the structure or interface type, and the flow coefficient is for reference only.
4. 如需详细尺寸数据，可联系我司技术人员获取。
For detailed size data, please contact our technical staff to obtain.
5. 如无合适接口，可联系我司根据客户特殊定制。
If there is no appropriate interface, you can contact our company according to the customer's special customization.

以上数据仅供参考，具体参数以产品规格书为准。The above parameters are for reference only, the specific parameters shall be subject to the product specifications.

PP 推拉式流体连接器
PUSH-PULL Type Fluid Connector



应用领域 Application Fields

- 航空航天、军工防务等领域 Aerospace, military defense and other fields
- 医疗设备 Medical equipment
- 数据中心、超级计算机 Data center, Supercomputer
- 核能、风电、光伏（储能、变流器）等新能源领域
Nuclear energy, wind power, photovoltaic (energy storage, converters) and other new energy fields
- 轨道交通、新能源汽车 Rail transit, New energy vehicles
- 工业 Industry

流体 Fluids

- 冷却液 Coolant
- 去离子水 Deionized water
- 水-乙二醇 Glycol Water
- 导热油 Heat transfer oils
- 酯类 Esters
- 煤油 Kerosene
- PAO
-



安全 Safety

- 双向密封，接通/断开无泄漏。
- 设备需要过压保护时，可选自卸压的系列，避免断开后设备压力过高。
- 工作时，平头的设计既方便清洁又防止污染物进入。
- 插头插座均配有保护套，在运输过程中防止污染物进入。
- Dual flow sealing, switch on/off with no leakage.
- Please select pressure release version to avoid high pressure of the equipment after disconnection.
- Flat faced design is easy to clean and prevent contaminants from entering during transportation.
- Protective covers are provided to prevent contaminants from entering during transportation.

可靠 Reliability

- 精选的材质配合独特的表面处理使产品坚固可靠的同时，实现高耐腐蚀性、高耐磨性。
- 有多种密封材质可选，可兼容各种流体。
- 产品适用温度范围根据不同O型圈可覆盖-40℃~+200℃，更大范围温度请咨询我司。
- The selected material and unique surface treatment contribute strong and reliable connection, increasing performance of the corrosion resistance.
- Various sealing materials are available to all kinds of fluids.
- The applicable temperature range is from -40 C to 200 C according to different O-rings. For wide range of temperature, please consult our company.

丰富 Wide range

- 根据流量大小8种通径任您选择。
- 尾部接口形式多样满足您各种需求。
- 四种颜色可选，快速辨别不同温度回路。
- 通径、接口、颜色均可以根据客户需求定制（各批次间颜色会存在一定差异）。
- 8 different sizes of bores to choose according to flow rate.
- Various forms of termination can meet your needs.
- Four colors to identify different temperature circuits.
- Diameter, interface and color can be customized according to customer requirements (Color difference could be found between batches).

稳定 Stable

- 钢珠锁紧结构使连接稳定可靠，适合冲击、振动环境。
- 独特的设计，紧凑的结构，最小的体积确保最大流量，实现最小的压降。
- 内部导向的结构设计插合时使连接器具有很高的机械强度，适用于更大的机械应力环境。
- The steel ball locking structure makes the connection extremely strong, suitable for impact and vibration environment.
- Unique design, precise structure, minimal size to ensure large flow and low pressure drop.
- when coupled the internal guide design enables the connector to have high mechanical strength, which is suitable for the situation of high mechanical stress.

便捷 Convenient

- 自动锁紧功能，操作轻松方便。
- 在视线不明处，实现无差别插合（盲插）。
- 凸肩和滚花的长锁紧环方便抓握，使接通/断开轻松快捷。
- Self locking.
- Blind mating.
- Long lock ring with shoulder and knurled for easy grip, making connection/disconnection easier and faster.

产品命名规则

Part Numbers

PP - 12 P AL E R 1M30

接口编号
The interface number

颜色标识
Color Code

O型圈材质
Material of O-ring

壳体材质
Body material

P:插头,S:插座
P: Plug, S: Socket

等效流通直径
Equivalent flow diameter

推拉式
Push-pull type

PPR - 12 P AL E R 1M30 - 01

卸压值
Pressure relief value

接口编号
The interface number

颜色标识
Color identifier

O型圈材质
Material of O-ring

壳体材质
Body material

P:插头
P: Plug

等效流通直径
Equivalent flow diameter

推拉式自卸压
Push-pull type Pressure relief value

颜色标识
Color Code

R:红色; Y:黄色; G:绿色; B:蓝色
R: red; Y: Yellow; G: Green; B: blue

壳体材质
Body material

AL:铝; SS:不锈钢; BR:黄铜
AL: aluminum; SS: Stainless steel; BR: brass

O型圈材质
Material of O-ring

E:EPDM,三元乙丙橡胶,-20℃~+150℃ FV:FVMQ,氟硅橡胶,-40℃~+175℃ FK:FKM,氟橡胶,-10~+200℃
E:EPDM,EPDM rubber,-20 C~+150 C FV:FVMQ, fluorine silicone rubber,-40 C~+175 C FK:FKM, fluorocarbon rubber,-10 C~+200 C

N:NBR,丁腈橡胶,-15℃~+100℃ FF:FFKM,全氟橡胶,0~+250℃
N:NBR,Nitrile rubber,-15 C~+100 C FF:FFKM, The fluorine rubber, 0~+250 C

卸压值
Pressure relief value

- 01: 卸压值0.2~0.7MPa, 即自卸压插座断开时0~0.2MPa密封, 卸压压力不大于0.7MPa。
01: The pressure relief value is 0.2~0.7Mpa, that is, 0~0.2Mpa is sealed when the self-unloading socket is disconnected, and the pressure relief is not greater than 0.7Mpa.
- 02: 卸压值0.8~1.6MPa, 即自卸压插座断开时0~0.8MPa密封, 卸压压力不大于1.6MPa。
02: The pressure relief value is 0.8~1.6Mpa, that is, 0~0.8Mpa is sealed when the self-unloading socket is disconnected, and the pressure relief is not greater than 1.6Mpa.

等效流通直径
Equivalent flow diameter

- 5: 流体有效截面积与直径5mm的圆面积相等
5:The effective cross-sectional area of the fluid is equal to the area of a circle with a diameter of 5mm
- 8: 流体有效截面积与直径8mm的圆面积相等
8: The effective cross-sectional area of the fluid is equal to the area of a circle with a diameter of 8mm
- 10: 流体有效截面积与直径10mm的圆面积相等
10: The effective cross-sectional area of the fluid is equal to the area of a circle with a diameter of 10mm
- 12: 流体有效截面积与直径12mm的圆面积相等
12: The effective cross-sectional area of the fluid is equal to the area of a circle with a diameter of 12mm
- 15: 流体有效截面积与直径15mm的圆面积相等
15: The effective cross-sectional area of the fluid is equal to the area of a circle with a diameter of 15mm
- 17: 流体有效截面积与直径17mm的圆面积相等
17: The effective cross-sectional area of the fluid is equal to the area of a circle with a diameter of 17mm
- 20: 流体有效截面积与直径20mm的圆面积相等
20: The effective cross-sectional area of the fluid is equal to the area of a circle with a diameter of 20mm
- 25: 流体有效截面积与直径25mm的圆面积相等
25: The effective cross-sectional area of the fluid is equal to the area of a circle with a diameter of 25mm

接口编号
The interface number

- 1XXXX -1: 内螺纹, 第二位便是螺纹类型 (M:公制, G:G型螺纹, J:美制螺纹), 后几位为螺纹大小, 如1G12。
-1: internal thread, followed by thread type (M: metric, G:G thread, J: American thread), followed by thread size, such as 1G12.
- 2XXXX -2: 外螺纹, 第二位便是螺纹类型 (M:公制, G:G型螺纹, J:美制螺纹), 后几位为螺纹大小, 如2G12。
-2: external thread, followed by thread type (M: metric, G:G thread, J: American thread), followed by thread size, such as 2G12.
- 3XX -3: 卡箍式, 后两位为卡箍最小外径, 如319。
-3: clamp, followed by the minimum outer diameter of the clamping, such as 319.
- 4XXXX -4: 法兰式, 后几位为孔位尺寸, 如43636。
-4: Flange, followed by the hole size, such as 43636.
- 5XXXX -5: 为90°弯角, 后几位为螺纹或法兰孔位尺寸, 如51G12、53636。
-5: right angle, followed by the thread or flange hole size, such as 51G12 53636.
- 6XXXX -6: 无具体意义, 特殊编号, 或为定制接口。
-6: customer specific.

工作温度 Working temperature	-55°C-+95°C	壳体材料种类 Body material	黄铜镀镍、铝合金、不锈钢可选 brass nickel plating, aluminum alloy, stainless steel
交变湿热 Alternating humidity and heat	240h	密封件材料种类 Sealing material	丁腈橡胶、三元乙丙橡胶、氟硅橡胶、氟碳橡胶可选 nitrile rubber, EPDM rubber, fluorosilicone rubber, fluorine-carbon rubber
盐雾测试 Salt spray test	≥168h	振动测试 Vibration test	按GJB360B-2009方法214, 连接器承受1MPa压力无泄漏 according to GJB360B-2009 method 214, the connector is subjected to 1MPa pressure without leakage
机械寿命 Mating cycle	1000次插拔 1000 times of plugging	冲击测试 Impact test	按GJB360B-2009方法213, 连接器承受1MPa压力无泄漏 according to GJB360B-2009 method 213, the connector is subjected to 1MPa pressure without leakage



普通型 Regular Type

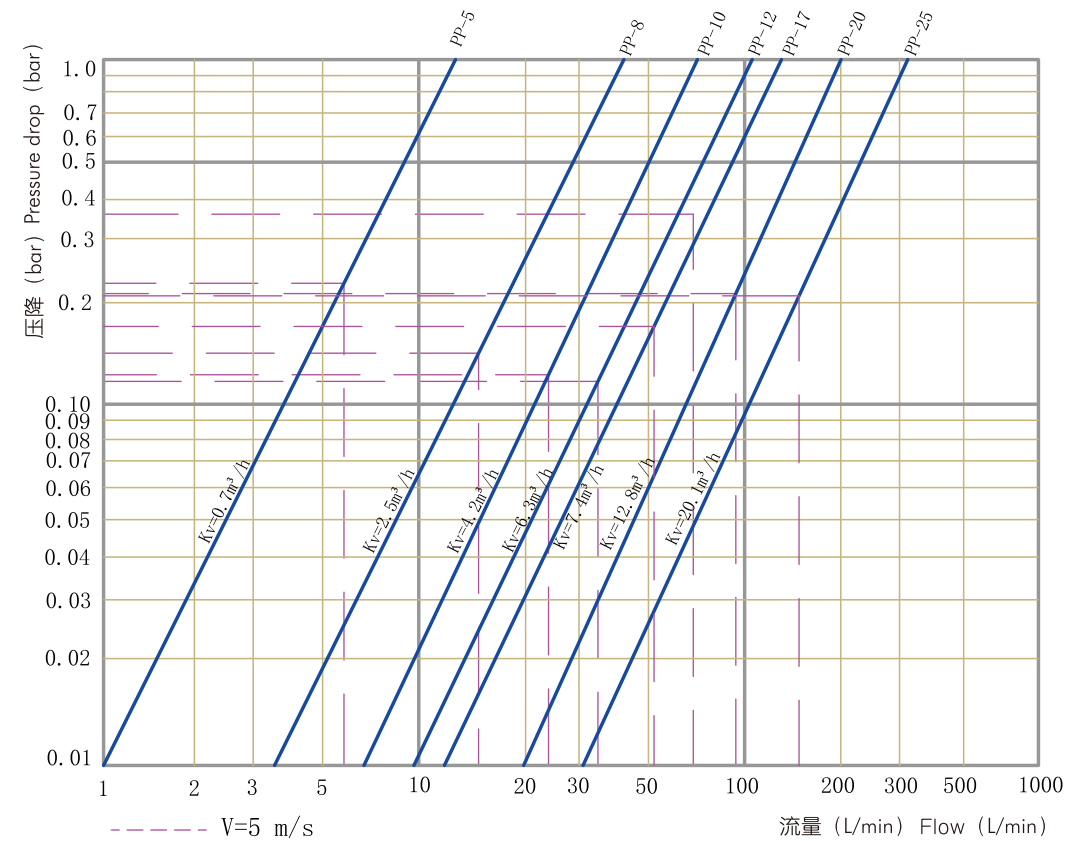
产品型号 Product model	PP-5	PP-8	PP-10	PP-12	PP-15	PP-17	PP-20	PP-25
最大工作压力 (bar) Maximum working pressure (bar)	40	20	20	20	20	20	20	16
最小爆破压力 (MPa) Minimum burst pressure (MPa)	6	6	6	6	6	6	6	6
流量系数 (m³/h) Flow coefficient (m³/h)	0.7	2.5	4.2	6.3	7.2	7.4	12.8	20.1
最大工作流量 (L/Min) Maximum working flow (L/Min)	5.88	15.07	23.55	33.90	52.98	68.05	94.2	147.18
单次插拔最大泄露量 (ml) Maximum leakage (ml)	0.02	0.02	0.03	0.05	0.09	0.10	0.12	0.15
最大插合力 (N) Maximum insertion force (N)	50	85	110	135	150	180	180	180



自卸压型 Pressure Releasing Type

产品型号 Product model	PPR-5P	PPR-10P	PPR-12P	PPR-15P
最大工作压力 (bar) Maximum working pressure (bar)	20	20	20	20
流量系数 (m³/h) Flow coefficient (m³/h)	0.79	4.2	6.36	7.2
最大工作流量 (L/Min) Maximum working flow (L/Min)	5.88	23.55	33.90	52.98
最大插合力 (N) Maximum insertion force (N)	50	110	135	150

以上数据仅供参考, 具体参数以产品规格书为准。 The above parameters are for reference only, the specific parameters shall be subject to the product specifications.



→ PP-5

插头货号 Plug Item No.	插头接口图 Plug interface contour drawing	插头插座连接图 Plug and socket connection diagram	插座接口图 Socket interface contour drawing	插座货号 Socket Item No.
PP-5PALER1G38				PP-5SALER1G38
PP-5PALER1G14				PP-5SALER1G14
PP-5PALER2G38				PP-5SALER2G38
PP-5PALER2G14				PP-5SALER2G14
PP-5PALER2J916				PP-5SALER2J916
PP-5PALER36.4				PP-5SALER36.4
PP-5PALER41631				PP-5SALER6J916
PP-5PALER6J916				

插头货号 Plug Item No.	插头接口编号 Plug interface number	总长L1 Total length L1 (mm)	接口长度L3 Interface length L3 (mm)	最大直径φD1 Maximum diameter φD1 (mm)	接口形式 Interface form
PP-5PALER1G38	1G38	62	12	24	G3/8内螺纹
PP-5PALER1G14	1G14	51.5	11	21	G1/4内螺纹
PP-5PALER2G38	2G38	50.5	12	20.8	G3/8外螺纹
PP-5PALER2G14	2G14	50.5	11	20.8	G1/4外螺纹
PP-5PALER2J916	2J916	46.5	14	19	JIC 9/16-18外螺纹
PP-5PALER36.4	36.4	57.5	18	21	接6.4mm内径软管
PP-5PALER41631	41631	36	-	16	法兰接口螺丝孔位16x31
PP-5PALER6J916	6J916	58.5+板厚 (1-4.5)	15.7	19	JIC 9/16-18外螺纹穿板式

插座货号 Socket Item No.	插座接口编号 Socket interface number	总长L2 Total length L2 (mm)	接口长度L4 Interface length L4 (mm)	最大直径φD2 Maximum diameter φD2 (mm)	接口形式 Interface form
PP-5SALER1G38	1G38	62	12	25	G3/8内螺纹
PP-5SALER1G14	1G14	57.5	11	25	G1/4内螺纹
PP-5SALER2G38	2G38	59.5	12	24.7	G3/8外螺纹
PP-5SALER2G14	2G14	59.5	11	24.7	G1/4外螺纹
PP-5SALER2J916	2J916	59.5	14	26	JIC 9/16-18外螺纹
PP-5SALER36.4	36.4	67.5	22	26	接6.4mm内径软管
PP-5SALER6J916	6J916	70.9+板厚 (1-4.5)	25.4	26	JIC 9/16-18外螺纹穿板式

温馨提示 Notes

- 以上插头插座可任意组合成套，组合成套货号如：PP-5PALER1G38+PP-5SALER2J916。
The above plugs and sockets can be combined in any way, and the combined article number can be combined in two terms, such as PP-5PALER1G38+PP-5SALER2J916.
- 根据接口形式选择对应货号。
Select the corresponding article number according to the form of interface.
- 因结构、接口、流体介质不同，流量系数存在差异，流量系数仅供参考。
Due to different structure, interface and fluid medium, the flow coefficient is different. Flow coefficient is for reference only.
- 如需详细尺寸数据，可联系我司技术人员获取。
For detailed size data, please contact our technical staff to obtain.
- 如无合适接口，可联系我司根据客户特殊定制。
If there is no appropriate interface, you can contact our company according to the customer's special customization.

以上数据仅供参考，具体参数以产品规格书为准。The above parameters are for reference only, the specific parameters shall be subject to the product specifications.

→ PP-8

插头货号 Plug Item No.	插头接口图 Plug interface contour drawing	插头插座连接图 Plug and socket connection diagram	插座接口图 Socket interface contour drawing	插座货号 Socket Item No.
PP-8PALER1G12				PP-8SALER1G12
PP-8PALER1G38				PP-8SALER1G38
PP-8PALER2G12				PP-8SALER2G12
PP-8PALER2G38				PP-8SALER2G38
PP-8PALER2J34				PP-8SALER2J34
PP-8PALER316				PP-8SALER316
PP-8PALER6J34				PP-8SALER316
				PP-8SALER5316
				PP-8SALER52G12
				PP-8SALER52G38
			PP-8SALER6J34	

插头货号 Plug Item No.	插头接口编号 Plug interface number	总长L1 Total length L1 (mm)	接口长度L3 Interface length L3 (mm)	最大直径φD1 Maximum diameter φD1 (mm)	接口形式 Interface form
PP-8PALER1G12	1G12	58.9	11	23.5	G1/2内螺纹
PP-8PALER1G38	1G38	54.9	11	23.5	G3/8内螺纹
PP-8PALER2G12	2G12	54.5	14.5	23.5	G1/2外螺纹
PP-8PALER2G38	2G38	52	10.5	23.5	G3/8外螺纹
PP-8PALER2J34	2J34	56.7	16.7	23.5	JIC 3/4-16外螺纹
PP-8PALER316	316	61	21	23.5	接16mm内径软管
PP-8PALER6J34	6J34	69.5+板厚 (1-4.5)	16.7	23.5	JIC 3/4-16外螺纹穿板式

插座货号 Socket Item No.	插座接口编号 Socket interface number	总长L2 Total length L2 (mm)	接口长度L4 Interface length L4 (mm)	最大直径φD2 Maximum diameter φD2 (mm)	接口形式 Interface form
PP-8SALER1G12	1G12	58.5	11	31	G1/2内螺纹
PP-8SALER1G38	1G38	58.5	10	31	G3/8内螺纹
PP-8SALER2G12	2G12	61	14.5	31	G1/2外螺纹
PP-8SALER2G38	2G38	56.5	9	31	G3/8外螺纹
PP-8SALER2J34	2J34	63.2	16.7	31	JIC 3/4-16外螺纹
PP-8SALER316	316	67.5	21	31	接16mm内径软管
PP-8SALER5316	5316	72	21	31	90°弯角+16mm内径软管
PP-8SALER52G12	52G12	72	14.5	31	90°弯角+G1/2外螺纹
PP-8SALER52G38	52G38	72	11.2	31	90°弯角+G3/8外螺纹
PP-8SALER6J34	6J34	70.8+板厚 (1-4.5)	16.7	31	JIC 3/4-16外螺纹穿板式

温馨提示 Notes

- 以上插头插座可任意组合成套，组合成套货号如：PP-8PALER1G38+PP-8SALER2J34。
The above plugs and sockets can be combined in any way, and the combined article number can be combined in two terms, such as PP-8PALER1G38+PP-8SALER2J34.
- 根据接口形式选择对应货号。
Select the corresponding article number according to the form of interface.
- 因结构、接口、流体介质不同，流量系数存在差异，流量系数仅供参考。
Due to different structure, interface and fluid medium, the flow coefficient is different. Flow coefficient is for reference only.
- 如需详细尺寸数据，可联系我司技术人员获取。
For detailed size data, please contact our technical staff to obtain.
- 如无合适接口，可联系我司根据客户特殊定制。
If there is no appropriate interface, you can contact our company according to the customer's special customization.

以上数据仅供参考，具体参数以产品规格书为准。The above parameters are for reference only, the specific parameters shall be subject to the product specifications.

→ PP-10

插头货号 Plug Item No.	插头接口图 Plug interface contour drawing	插头插座连接图 Plug and socket connection diagram	插座接口图 Socket interface contour drawing	插座货号 Socket Item No.
PP-10PALER1G12				PP-10SALER1G12
PP-10PALER2G12				PP-10SALER2G12
PP-10PALER2J78				PP-10SALER2J78
PP-10PALER6J78				PP-10SALER6J78
				PP-10SALER319

插头货号 Plug Item No.	插头接口编号 Plug interface number	总长L1 Total length L1 (mm)	接口长度L3 Interface length L3 (mm)	最大直径φD1 Maximum diameter φD1 (mm)	接口形式 Interface form
PP-10PALER1G12	1G12	76	14	30	G1/2内螺纹
PP-10PALER2G12	2G12	70.4	14	30	G1/2外螺纹
PP-10PALER2J78	2J78	75.7	19.3	30	JIC 7/8-14外螺纹
PP-10PALER6J78	6J78	90.7+板厚 (1-5)	34.3	34	JIC 7/8-14外螺纹穿板式

插座货号 Socket Item No.	插座接口编号 Socket interface number	总长L2 Total length L2 (mm)	接口长度L4 Interface length L4 (mm)	最大直径φD2 Maximum diameter φD2 (mm)	接口形式 Interface form
PP-10SALER1G12	1G12	81	14	37.5	G1/2内螺纹
PP-10SALER2G12	2G12	80	14	38.1	G1/2外螺纹
PP-10SALER2J78	2J78	85.4	19.3	38.1	JIC 7/8-14外螺纹
PP-10SALER319	319	101	33	37.5	接19mm内径软管
PP-10SALER6J78	6J78	100.4+板厚 (1-4.5)	34.3	38.1	JIC 7/8-14外螺纹穿板式

温馨提示 Notes

- 以上插头插座可任意组合成套，组合成套货号如：PP-10PALER1G12+PP-5SALER319。
The above plugs and sockets can be combined in any way, and the combined article number can be combined in two terms, such as PP-10PALER1G12+PP-5SALER319.
- 根据接口形式选择对应货号。
Select the corresponding article number according to the form of interface.
- 因结构、接口、流体介质不同，流量系数存在差异，流量系数仅供参考。
Due to different structure, interface and fluid medium, the flow coefficient is different. Flow coefficient is for reference only.
- 如需详细尺寸数据，可联系我司技术人员获取。
For detailed size data, please contact our technical staff to obtain.
- 如无合适接口，可联系我司根据客户特殊定制。
If there is no appropriate interface, you can contact our company according to the customer's special customization.

以上数据仅供参考，具体参数以产品规格书为准。The above parameters are for reference only, the specific parameters shall be subject to the product specifications.

→ PP-12

插头货号 Plug Item No.	插头接口图 Plug interface contour drawing	插头插座连接图 Plug and socket connection diagram	插座接口图 Socket interface contour drawing	插座货号 Socket Item No.
PP-12PALER1G34				PP-12SALER1G34
PP-12PALER1G12				PP-12SALER1G12
PP-12PALER2G34				PP-12SALER2G34
PP-12PALER2G12				PP-12SALER2G12
PP-12PALER2J1116				PP-12SALER2J1116
PP-12PALER319				PP-12SALER319
PP-12PALER6J1116				PP-12SALER6J1116
				PP-12SALER5319
				PP-12SALER52M22
				PP-12SALER52G34

插头货号 Plug Item No.	插头接口编号 Plug interface number	总长L1 Total length L1 (mm)	接口长度L3 Interface length L3 (mm)	最大直径φD1 Maximum diameter φD1 (mm)	接口形式 Interface form
PP-12PALER1G34	1G34	78.8	14	34	G3/4内螺纹
PP-12PALER1G12	1G12	78.8	14	34	G1/2内螺纹
PP-12PALER2G34	2G34	78.8	13	34	G3/4外螺纹
PP-12PALER2G12	2G12	78.8	13	34	G1/2外螺纹
PP-12PALER2J1116	2J1116	87.7	21.9	34	JIC 1 1/16-12外螺纹
PP-12PALER319	319	88.8	23	34	接19mm内径软管
PP-12PALER6J1116	6J1116	104+板厚 (1~5.5)	21.9	34	JIC 1 1/16-12外螺纹穿板式

插座货号 Socket Item No.	插座接口编号 Socket interface number	总长L2 Total length L2 (mm)	接口长度L4 Interface length L4 (mm)	最大直径φD2 Maximum diameter φD2 (mm)	接口形式 Interface form
PP-12SALER1G34	1G34	94.6	14	41.6	G3/4内螺纹
PP-12SALER1G12	1G12	94.6	14	41.6	G1/2内螺纹
PP-12SALER2G34	2G34	95.1	14.5	41.6	G3/4外螺纹
PP-12SALER2G12	2G12	94.6	14	41.6	G1/2外螺纹
PP-12SALER2M26	2M26	96.6	16	41.6	M26x1.5外螺纹
PP-12SALER2J1116	2J1116	102.5	21.9	41.6	JIC 1 1/16-12外螺纹
PP-12SALER319	319	117.5	33	41.6	接19mm内径软管卡箍
PP-12SALER5319	5319	114	31	41.6	90°弯角+接19mm内径软管
PP-12SALER5319	5319	115.3	23	41.6	90°弯角+接19mm内径软管
PP-12SALER52M22	5M22	94.6	12	41.6	90°弯角+M22x1.5外螺纹
PP-12SALER52G34	52G34	115.3	14.5	41.6	90°弯角+G3/4外螺纹
PP-12SALER6J1116	6J1116	121.7+板厚 (1~5.5)	21.9	41.6	JIC 1 1/16-12外螺纹穿板式

温馨提示 Notes

- 以上插头插座可任意组合成套，组合成套货号如：PP-12PALER2G12+PP-12SALER5M22。
The above plugs and sockets can be combined in any way, and the combined article number can be combined in two terms, such as PP-12PALER2G12+PP-12SALER5M22.
- 根据接口形式选择对应货号。
Select the corresponding article number according to the form of interface.
- 因结构、接口、流体介质不同，流量系数存在差异，流量系数仅供参考。
Due to different structure, interface and fluid medium, the flow coefficient is different. Flow coefficient is for reference only.
- 如需详细尺寸数据，可联系我司技术人员获取。
For detailed size data, please contact our technical staff to obtain.
- 如无合适接口，可联系我司根据客户特殊定制。
If there is no appropriate interface, you can contact our company according to the customer's special customization.

以上数据仅供参考，具体参数以产品规格书为准。The above parameters are for reference only, the specific parameters shall be subject to the product specifications.

→ PP-15

插头货号 Plug Item No.	插头接口图 Plug interface contour drawing	插头插座连接图 Plug and socket connection diagram	插座接口图 Socket interface contour drawing	插座货号 Socket Item No.
PP-15PALER1G34				PP-15SALER1G34
				PP-15SALER2G34
PP-15PALER2G34				PP-15SALER319
				PP-15SALER5319
				PP-15SALER52G34

插头货号 Plug Item No.	插头接口编号 Plug interface number	总长L1 Total length L1 (mm)	接口长度L3 Interface length L3 (mm)	最大直径φD1 Maximum diameter φD1 (mm)	接口形式 Interface form
PP-15PALER1G34	1G34	90.9	14.5	38	G3/4内螺纹
PP-15PALER2G34	2G34	87	14.5	40	G3/4外螺纹
PP-15PALER2G12	2G12	68.6	13	33.5	G1/2外螺纹

插座货号 Socket Item No.	插座接口编号 Socket interface number	总长L2 Total length L2 (mm)	接口长度L4 Interface length L4 (mm)	最大直径φD2 Maximum diameter φD2 (mm)	接口形式 Interface form
PP-15SALER1G34	1G34	106	14.5	42	G3/4内螺纹
PP-15SALER2G34	2G34	118.4	14.5	42	G3/4外螺纹
PP-15SALER319	319	113.5	33	40	接19mm内径软管
PP-15SALER5319	5319	95.4	33	40	90°弯角+接19mm内径软管
PP-15SALER52G34	52G34	95.4	16	40	90°弯角+G3/4外螺纹

温馨提示 Notes

- 以上插头插座可任意组合成套，组合成套货号如：PP-15PALER1G34+PP-15SALER2G34。
The above plugs and sockets can be combined in any way, and the combined article number can be combined in two terms, such as PP-15PALER1G34+PP-15SALER2G34.
- 根据接口形式选择对应货号。
Select the corresponding article number according to the form of interface.
- 因结构、接口、流体介质不同，流量系数存在差异，流量系数仅供参考。
Due to different structure, interface and fluid medium, the flow coefficient is different. Flow coefficient is for reference only.
- 如需详细尺寸数据，可联系我司技术人员获取。
For detailed size data, please contact our technical staff to obtain.
- 如无合适接口，可联系我司根据客户特殊定制。
If there is no appropriate interface, you can contact our company according to the customer's special customization.

以上数据仅供参考，具体参数以产品规格书为准。The above parameters are for reference only, the specific parameters shall be subject to the product specifications.

→ PP-17

插头货号 Plug Item No.	插头接口图 Plug interface contour drawing	插头插座连接图 Plug and socket connection diagram	插座接口图 Socket interface contour drawing	插座货号 Socket Item No.
PP-17PALER1G34				PP-17SALER1G34
PP-17PALER2G34				PP-17SALER2G34
PP-17PALER2J1516				PP-17SALER2J1516
PP-17PALER6J1516				PP-17SALER6J1516

插头货号 Plug Item No.	插头接口编号 Plug interface number	总长L1 Total length L1 (mm)	接口长度L3 Interface length L3 (mm)	最大直径φD1 Maximum diameter φD1 (mm)	接口形式 Interface form
PP-17PALER1G34	1G34	97.6	16	36.1	G3/4内螺纹
PP-17PALER2G34	2G34	93.5	16	36.1	G3/4外螺纹
PP-17PALER2J1516	2J1516	100.6	23.1	36.1	JIC 1 5/16-12外螺纹
PP-17PALER6J1516	6J1516	118.4+板厚 (1-5.5)	23.1	36.1	JIC 1 5/16-12外螺纹穿板式

插座货号 Socket Item No.	插座接口编号 Socket interface number	总长L2 Total length L2 (mm)	接口长度L4 Interface length L4 (mm)	最大直径φD2 Maximum diameter φD2 (mm)	接口形式 Interface form
PP-17SALER1G34	1G34	119.4	16	49.8	G3/4内螺纹
PP-17SALER2G34	2G34	123	16	49.8	G3/4外螺纹
PP-17SALER2J1516	2J1516	130.1	23.1	49.8	JIC 1 5/16-12外螺纹
PP-17SALER6J1516	6J1516	147.9+板厚 (1-5.5)	23.1	49.8	JIC 1 5/16-12外螺纹穿板式

温馨提示 Notes

- 以上插头插座可任意组合成套，组合成套货号如：PP-17PALER2G34+PP-17SALER2J1516。
The above plugs and sockets can be combined in any way, and the combined article number can be combined in two terms, such as PP-17PALER2G34+PP-17SALER2J1516.
- 根据接口形式选择对应货号。
Select the corresponding article number according to the form of interface.
- 因结构、接口、流体介质不同，流量系数存在差异，流量系数仅供参考。
Due to different structure, interface and fluid medium, the flow coefficient is different. Flow coefficient is for reference only.
- 如需详细尺寸数据，可联系我司技术人员获取。
For detailed size data, please contact our technical staff to obtain.
- 如无合适接口，可联系我司根据客户特殊定制。
If there is no appropriate interface, you can contact our company according to the customer's special customization.

以上数据仅供参考，具体参数以产品规格书为准。The above parameters are for reference only, the specific parameters shall be subject to the product specifications.

→ PP-20

插头货号 Plug Item No.	插头接口图 Plug interface contour drawing	插头插座连接图 Plug and socket connection diagram	插座接口图 Socket interface contour drawing	插座货号 Socket Item No.
PP-20PALER1G1				PP-20SALER1G1
PP-20PALER1G114				PP-20SALER1G114
PP-20PALER2G1				PP-20SALER2G1
PP-20PALER2G114				PP-20SALER2G114
PP-20PALER2J158				PP-20SALER2J158
PP-20PALER6J158				PP-20SALER6J158

插头货号 Plug Item No.	插头接口编号 Plug interface number	总长L1 Total length L1 (mm)	接口长度L3 Interface length L3 (mm)	最大直径φD1 Maximum diameter φD1 (mm)	接口形式 Interface form
PP-20PALER1G1	1G1	118	20	50	G1内螺纹
PP-20PALER1G114	1G114	107.5	20	55	G1 1/4内螺纹
PP-20PALER2G1	2G1	112.5	20	50	G1外螺纹
PP-20PALER2G114	2G114	105	20	55	G1 1/4外螺纹
PP-20PALER2J158	2J158	116.8	24.4	55	JIC 1 5/8-12外螺纹
PP-20PALER6J158	6J158	137.7+板厚 (1-5.5)	24.4	55	JIC 1 5/8-12外螺纹穿板式

插座货号 Socket Item No.	插座接口编号 Socket interface number	总长L2 Total length L2 (mm)	接口长度L4 Interface length L4 (mm)	最大直径φD2 Maximum diameter φD2 (mm)	接口形式 Interface form
PP-20SALER1G1	1G1	141	20	59.5	G1内螺纹
PP-20SALER1G114	1G114	126	20	55	G1 1/4内螺纹
PP-20SALER2G1	2G1	146	20	59.5	G1外螺纹
PP-20SALER2G114	2G114	135	20	55	G1 1/4外螺纹
PP-20SALER2J158	2J158	150	24.4	59.5	JIC 1 5/8-12外螺纹
PP-20SALER6J158	6J158	170.7+板厚 (1-5.5)	24.4	59.5	JIC 1 5/8-12外螺纹穿板式

温馨提示 Notes

- 以上插头插座可任意组合成套，组合成套货号如：PP-20PALER1G1+PP-5SALER2J158。
The above plugs and sockets can be combined in any way, and the combined article number can be combined in two terms, such as PP-20PALER1G1+PP-5SALER2J158.
- 根据接口形式选择对应货号。
Select the corresponding article number according to the form of interface.
- 因结构、接口、流体介质不同，流量系数存在差异，流量系数仅供参考。
Due to different structure, interface and fluid medium, the flow coefficient is different. Flow coefficient is for reference only.
- 如需详细尺寸数据，可联系我司技术人员获取。
For detailed size data, please contact our technical staff to obtain.
- 如无合适接口，可联系我司根据客户特殊定制。
If there is no appropriate interface, you can contact our company according to the customer's special customization.

以上数据仅供参考，具体参数以产品规格书为准。The above parameters are for reference only, the specific parameters shall be subject to the product specifications.

→ PP-25

插头货号 Plug Item No.	插头接口图 Plug interface contour drawing	插头插座连接图 Plug and socket connection diagram	插座接口图 Socket interface contour drawing	插座货号 Socket Item No.
PP-25PALER1G114				PP-25SALER1G114
PP-25PALER2G114				PP-25SALER2G114
PP-25PALER2J178				PP-25SALER2J178
PP-25PALER6J178				PP-25SALER6J178

插头货号 Plug Item No.	插头接口编号 Plug interface number	总长L1 Total length L1 (mm)	接口长度L3 Interface length L3 (mm)	最大直径φD1 Maximum diameter φD1 (mm)	接口形式 Interface form
PP-25PALER1G114	1G114	142	21	58	G1 1/4内螺纹
PP-25PALER2G114	2G114	135.2	21	58	G1 1/4外螺纹
PP-25PALER2J178	2J178	141.5	27.5	58	JIC 1 7/8-12外螺纹
PP-25PALER6J178	6J178	166.2+板厚 (1-5.5)	27.5	58	JIC 1 7/8-12外螺纹穿板式

插座货号 Socket Item No.	插座接口编号 Socket interface number	总长L2 Total length L2 (mm)	接口长度L4 Interface length L4 (mm)	最大直径φD2 Maximum diameter φD2 (mm)	接口形式 Interface form
PP-25SALER1G114	1G114	182.7	21	71.2	G1 1/4内螺纹
PP-25SALER2G114	2G114	186.2	21	71.2	G1 1/4外螺纹
PP-25SALER2J178	2J178	192.6	27.4	71.2	JIC 1 7/8-12外螺纹
PP-25SALER6J178	6J178	210.3+板厚 (1-5.5)	27.4	71.2	JIC 1 7/8-12外螺纹穿板式

温馨提示 Notes

- 以上插头插座可任意组合成套，组合成套货号如：PP-25PALER1G114+PP-25SALER2G114。
The above plugs and sockets can be combined in any way, and the combined article number can be combined in two terms, such as PP-25PALER1G114+PP-25SALER2G114.
- 根据接口形式选择对应货号。
Select the corresponding article number according to the form of interface.
- 因结构、接口、流体介质不同，流量系数存在差异，流量系数仅供参考。
Due to different structure, interface and fluid medium, the flow coefficient is different. Flow coefficient is for reference only.
- 如需详细尺寸数据，可联系我司技术人员获取。
For detailed size data, please contact our technical staff to obtain.
- 如无合适接口，可联系我司根据客户特殊定制。
If there is no appropriate interface, you can contact our company according to the customer's special customization.

以上数据仅供参考，具体参数以产品规格书为准。The above parameters are for reference only, the specific parameters shall be subject to the product specifications.



尼龙透气阀
Nylon Ventilation Plug



金属透气阀
Metal Ventilation Plug



金属泄压阀
Metal Pressure Relief Valve



产品描述 Product description

- 在经过多种严酷环境影响后，密封件经常会受到损伤而失效，导致壳体内部电子元件受外部污染所损伤。倍仕得防水透气产品可有效平衡压力并防止外界污染进入，使户外电子设备的安全性、可靠性大大增加，延长产品使用寿命。

After a variety of harsh environmental effects, seals are often damaged and fail, resulting in external contamination of the internal electronic components of the housing. BEISIT waterproof and breathable products can effectively balance pressure and prevent outside pollution from entering, greatly increasing the safety and reliability of outdoor electronic equipment and extending the service life of products.

应用领域 Application

- 储能，轨道交通，新能源汽车，通讯基站，风力发电，太阳能光伏，电力电气，户外照明，安防设备，仪表 & 传感器，机械制造，船舶港机，工业自动化。

Energy storage, Railway, New energy vehicles (NEV), Telecommunication station base (TBS), Wind energy, Solar energy, Electrical engineering, Outdoor lighting, Security system, Instruments & Sensors, Machinery building, Shipping & Port cranes, Industrial Automation.

防水透气阀的优点 Advantages of Ventilation Plug

- 安全：**在箱体内部压力变化时可有效平衡壳体内外压力差，提升箱体使用寿命。
Safety: when the pressure inside the box changes, it can effectively balance the pressure difference inside and outside the shell and improve the service life of the box.
- 稳定：**经受极端恶劣的环境条件仍可以保障良好的防水及透气性能。
Stability: it can still ensure good waterproof and air permeability under extreme environmental conditions.
- 可靠：**产品所选用材料具有良好的耐温性、抗紫外性及耐化学性。
Reliable: the selected materials of the product have good temperature resistance, UV resistance and chemical resistance.
- 便捷：**采用螺纹结构，锁紧后即可使用。
Convenient: threaded joint is adopted, which can be used after locking.

金属防水透气阀
Metal Ventilation Plug

→ M

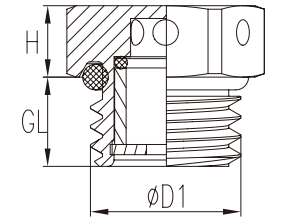
CE IP67 RoHS REACH

材料 Material: 镀镍黄铜、铝、不锈钢 Nickel-plated brass, Aluminum, Stainless steel
O型圈 O-Ring: EPDM (可选硅橡胶, TPV, 氟橡胶等 optional material, Silicone Rubber, TPV, FPM)
工作温度 Working temperature: -40°C to 100°C

O型圈默认预装! All O rings are pre-assembled as standard.

Thread ∅D1	H mm	GL mm	∅ mm	Air Volume ml/min@70mbar	Product Model
M5 x 0.8	3.5	4	8	≥100	M5-VPBR
M12 x 1.5	5.6	7	14	≥2500	M12-VPBR

PROFILE



尼龙防水透气阀
Nylon Ventilation Plug

→ M

CE IP67 RoHS REACH

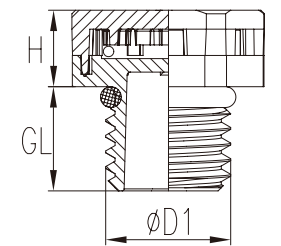
材料 Material: 采用UL认可的尼龙材料 PA(NYLON), UL94V-2
防水圈 Seal: EPDM(可选硅橡胶, TPV等 optional material Silicone Rubber, TPV)
O型圈 O-Ring: EPDM(可选硅橡胶, TPV, 氟橡胶等 optional material, Silicone Rubber, TPV, FPM)
工作温度 Working temperature: -40°C to 100°C
颜色种类 Color: 灰色, 黑色, 其他颜色可定做 Grey(RAL7035), Black(RAL9005), other colors customized.
材料种类 Material options: V0或F1可定做 V0, or F1 can be offered upon request.

如需其他材料或者颜色, 请垂询! Other material or Colors upon request.

O型圈默认预装! All O rings are pre-assembled as standard.

Thread ∅D1	H mm	GL mm	∅ mm	Air Volume ml/min@70mbar	Product Model
M12 x 1.5	7.3	10	17	≥1600	M12-VPB-S
M24 x 1.5	8.8	12	30	≥13000	M24-VPB-S
M40 x 1.5	14.8	13	53	≥43300	M40-VPB-S

PROFILE



备注: 以上THREAD, ∅, Shield, D1, H, GL尺寸可根据客户定制 Remarks: Dimension for Thread, ∅, Shield, H, GL, W can be customized



金属防爆泄压阀

Metal Ex-proof Pressure Release Valve

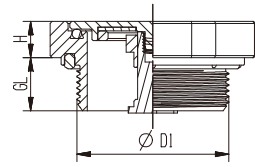


→ M

IP67 RoHS REACH

材料 Material: 镀镍黄铜、铝、不锈钢 Nickel-plated brass, Aluminum, Stainless steel
 O型圈 O-Ring: EPDM (可选硅橡胶, TPV, 氟橡胶等 optional material, Silicone Rubber, TPV, FPM)
 工作温度 Working temperature: -40°C to 100°C

PROFILE



O型圈默认预装! All O rings are pre-assembled as standard.
 防爆压力可根据客户要求定制! Ex-proof Pressure can be customized per request.

Thread ØD1	H mm	GL mm	Φ mm	Air Volume L / min@70mbar	Product Model
M12 x 1.5	11.7	10	19	≥500ml/min	M12M-EV001
M40 x 1.5	9.5	14	50	≥800L/min	M40M-CV001

备注: 以上THREAD.Φ.Shield.D1.H.GL尺寸可根据客户定制 Remarks: Dimension for Thread. Φ .Shield.H.GL.W can be customized



电缆保护系列 Cable Protection Series





信号保护罩
Signal Protection Shield



尼龙电缆固定头
Nylon Cable Glands



尼龙多孔电缆固定头
Nylon Multiple-Entry



定制尼龙闷盖
Customization Nylon Screw Plug



多孔方形密封穿线板
Cable Entry Plates-square type
with Multi-Entry



宝塔型密封穿线板
Cable Entry Grommets



多孔圆形密封穿线板
Perforated Circular Sealing
Threading Plate



单孔穿线护套
Single Hole Threading Sheath

信号保护罩 Signal Shield



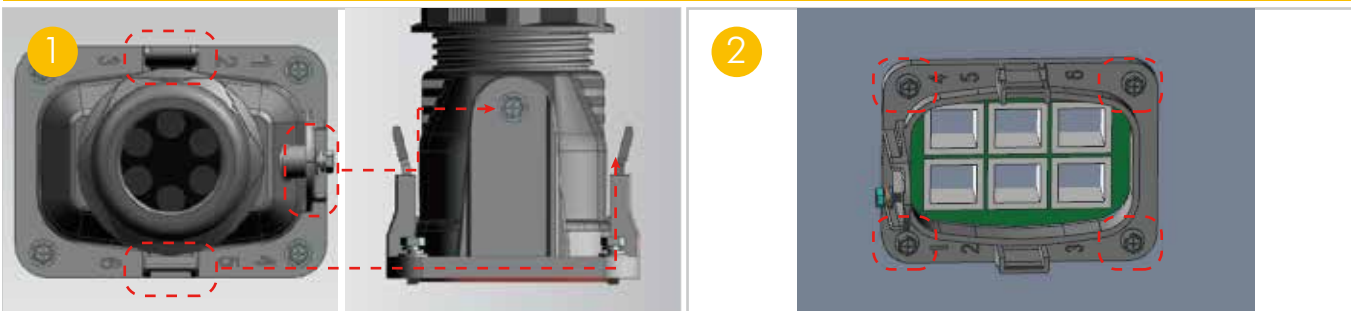
应用领域 Application

- 光伏逆变器, 储能逆变器等
Photovoltaic inverter, energy storage inverter, etc

特性 Features

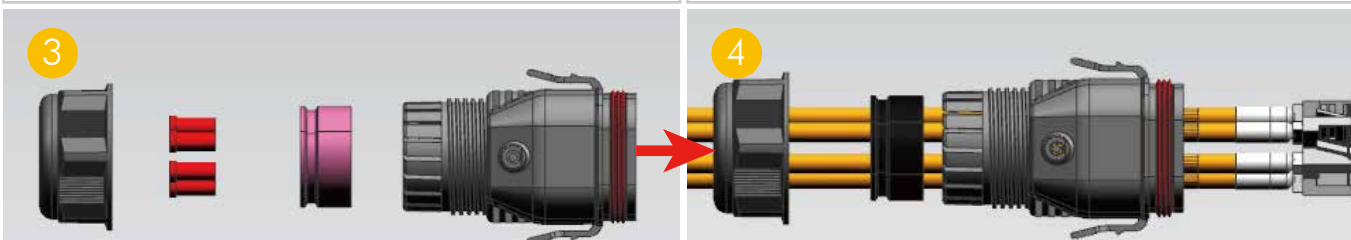
- 安装简易方便 Easy installation
- 抗腐蚀性强 Strong corrosion resistance
- 绝缘外壳牢固耐用, 阻燃等级高 The insulation shell is firm and durable, with a high flame retardant grade
- 防护等级高 High electrical protection level
- 可同时紧固多芯线束 Available for multi-core bundle cable entry in parallel simultaneously

在开始安装前，请仔细阅读所有说明。
Please read all instructions carefully before installation.



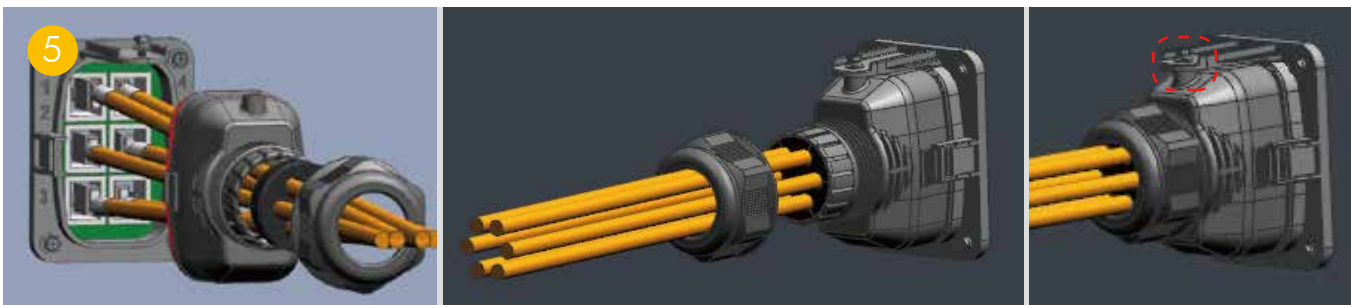
使用工具将M3螺丝拧松（同时操作锁紧机构），使得信号保护罩壳体与底座分离。
Use a tool to loosen the M3 screws (while operating the locking mechanism), so that the shell of the signal protection cover is separated from the base.

使用电动螺丝批，将底座上的4颗M4防松脱螺丝和底座，安装在箱体的预留槽位上。
Install the four M4 fastening screws and the base in the reserved slots of the chassis using an electric screw batch.



依次将螺帽、塞棒、防水圈从保护罩壳体分离开。
Separate the nut, plug rod and waterproof ring from the protective cover shell in turn.

将压接好水晶头的线缆依次穿过螺帽、防水圈（已切缝）、壳体。
Pass the cable with the crystal connector through the nut, waterproof ring (slit), and shell in turn.



先将线束水晶头与设备内部板端接口进行连接，再将插座壳体插入底座进行固定。
First connect the wiring harness crystal head with the internal plate end interface of the device, and then insert the socket shell into the base for fixing.

将防水圈装入插座壳体，并参考扭力标准锁紧螺帽；最后使用工具将M3螺钉锁紧，即完成整套产品安装。
Put the waterproof ring into the socket housing, and lock the nut with reference to the torque standard; Finally, use tools to lock M3 screws to complete the installation of the whole set of products.

BST-SPC-H6-6 信号保护罩
BST-SPC-H6-6 Signal Entry Protection Shield

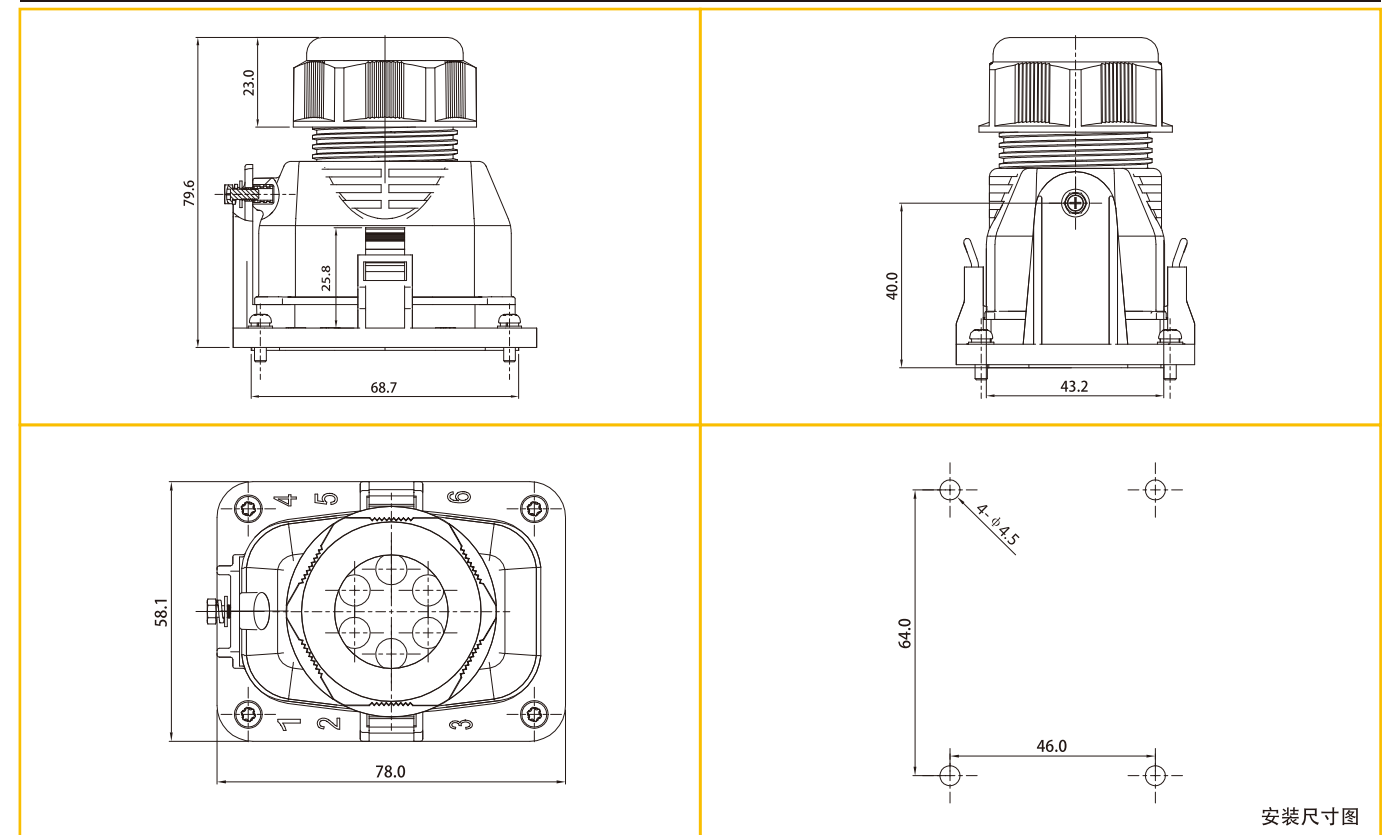
材料处理 Material processing

塞棒 Stopper	耐候橡胶 Weatherproof rubber	矩形垫圈 Rectangular Washer	硅胶 Silica gel
螺帽 Nut	PA6	组合螺钉 Combination screw	不锈钢 Stainless steel
多孔防水圈 Porous waterproof ring	三元乙丙 EPDM	壳体 Housing	PA6
带齿防水圈 Gasket: Purple copper	硅胶 Silica gel	预埋螺母 Embedded nut	黄铜 Brass
底座 Base	PA66		

技术参数 Technical parameter

颜色 Color	黑色 Black RAL9005	产品盐雾测试 Product salt spray test	满足48h中性盐雾测试 Meet the 48h neutral salt spray test
阻燃等级 Flame retardant grade	UL94 V-2	线径范围 Cable bundle diameter range	6 x 6.2mm
防护等级 Level of protection	IP67	迫帽安装扭力 The torque of the nut	8-10N.m
环保属性 Environmental attributes	RoHS2.0		
工作温度 Operating temperature	-40 C ~ +100 C		

外形尺寸 Dimension



安装尺寸图

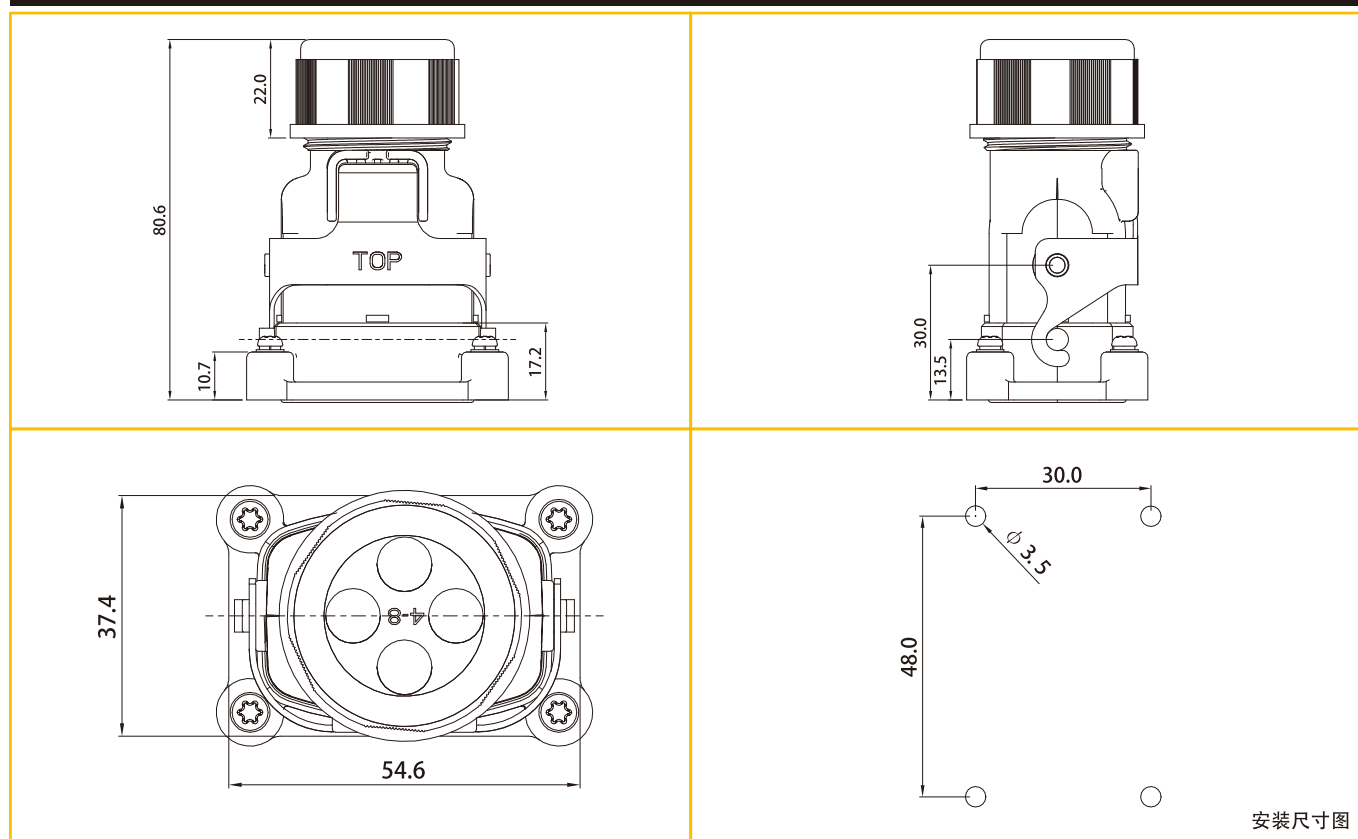
材料处理 Material processing

塞棒 Stopper	PA	矩形圈 Rectangular circle	硅胶 Silica gel
螺帽 Nut	尼龙加纤 Nylon plus fibre	组合螺钉 Combination screw	不锈钢 Stainless steel
多孔防水圈 Porous waterproof ring	耐候橡胶 Weather resistant rubber	壳体 Housing	PA6
矩形垫圈 Rectangular Washer	硅胶 Silica gel	板扣 Plate buckle	不锈钢、钝化 Stainless steel, passivation
底座 Base	尼龙加纤 Nylon plus fibre	护套 Sheath	不锈钢、钝化 Stainless steel, passivation

技术参数 Technical parameter

颜色 Color	黑色 (YB207)	产品盐雾测试 Product salt spray test	满足24h中性盐雾测试 Meet the 24h neutral salt spray test
阻燃等级 Flame retardant grade	UL94 V-0		
防护等级 Level of protection	IP66	线径范围 Line diameter range	4-8 mm
环保属性 Environmental attributes	RoHS2.0	迫帽安装扭力 The torque of the nut	6-9 N.m
工作温度 Operating temperature	-40 C ~ +100 C		

外形尺寸 Dimensions



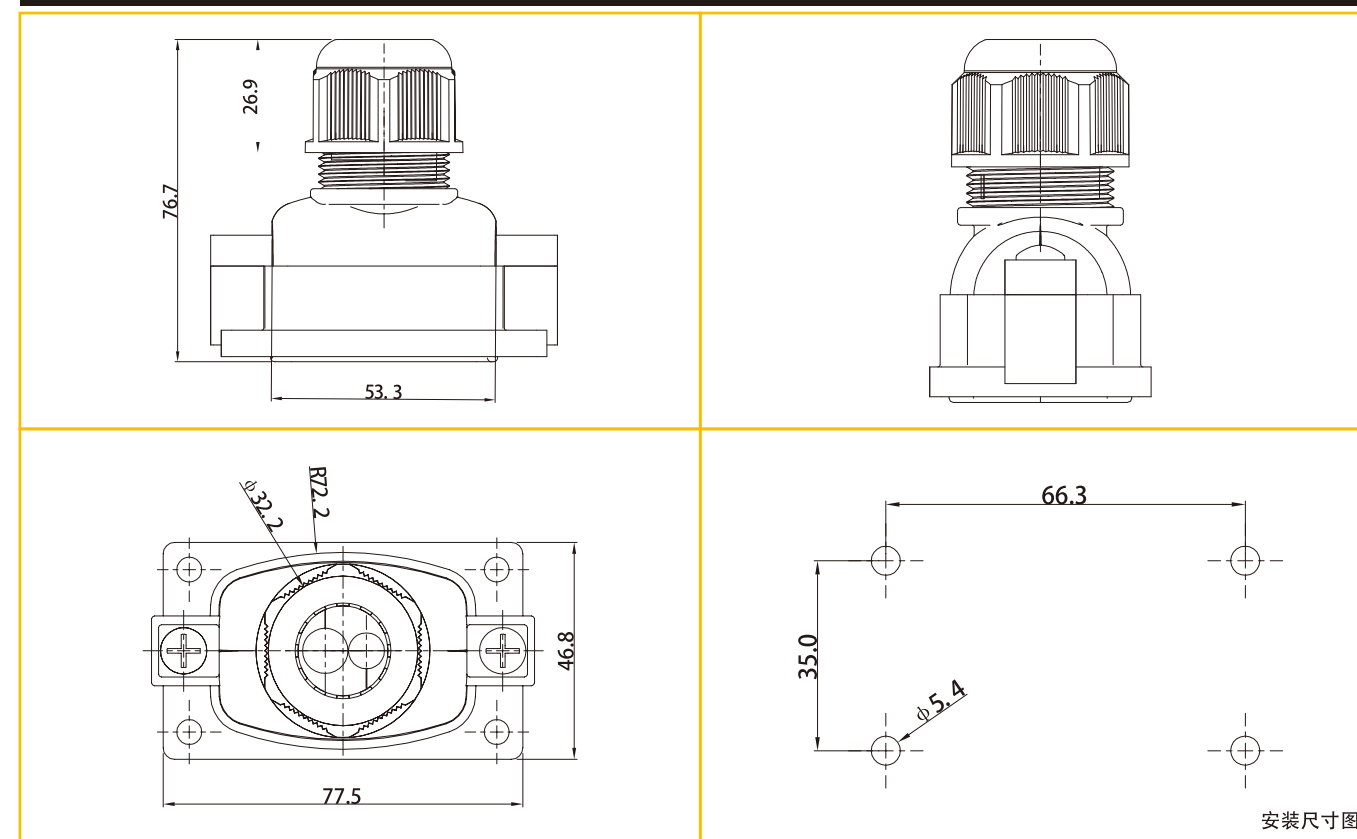
材料处理 Material processing

塞棒 Stopper	耐候橡胶 Weather resistant rubber	矩形圈 Rectangular circle	硅胶 Silica gel
螺帽 Nut	PA6	组合螺钉 Combination screw	不锈钢、达克罗 Stainless steel, Dacromet
多孔防水圈 Porous waterproof ring	耐候橡胶 Weather resistant rubber	壳体 Housing	尼龙加纤 Nylon plus fibre
矩形垫圈 Rectangular Washer	硅胶 Silica gel	夹紧爪 Clamping claw	PA6
底座 Base	尼龙加纤 Nylon plus fibre	预埋螺母 Insert nut	不锈钢、钝化 Stainless steel, passivation

技术参数 Technical parameter

颜色 Color	黑色 (YB207)	产品盐雾测试 Product salt spray test	满足24h中性盐雾测试 Meet the 24h neutral salt spray test
阻燃等级 Flame retardant grade	UL94 V-0		
防护等级 Level of protection	IP67	线径范围 Line diameter range	(5+5) mm、(5+7) mm
环保属性 Environmental attributes	RoHS2.0	迫帽安装扭力 The torque of the nut	5-6 N.m
工作温度 Operating temperature	-40 C ~ +100 C		

外形尺寸 Dimensions



M型电缆固定头

Metric Type Nylon Cable Glands



→ M



材料 Material: 采用UL认可的尼龙材料 PA (NYLON), UL94 V-2
 防水圈 Seal: EPDM (可选丁腈橡胶, 硅橡胶, TPV等 optional material NBR, Silicone Rubber,TPV)
 O型圈 O-Ring: EPDM (可选硅橡胶, TPV, 氟橡胶等 optional material, Silicone Rubber, TPV,FPM)
 工作温度 Working temperature: -40°C to 100°C
 颜色种类 Color: 灰色、黑色, 其他颜色可定做 Grey (RAL7035), Black (RAL9005), other colors customized.
 材料种类 Material options: V0或F1可定做 V0 or F1 can be offered upon request.

如需其他材料或者颜色, 请垂询! Other material or Colors upon request.
 O型圈默认预装! All O rings are pre-assembled as standard.



Thread ∅D1	∅k mm	H mm	GL mm	∅ mm	Product Model RAL7035	Product Model RAL9005
M10 x 1.5	3-6.5	21	8	15	M1007	M1007B
M10 x 1.5	2-5	21	8	15	M1005	M1005B
M12 x 1.5	3-6.5	21	8	15	M1207	M1207B
M12 x 1.5	2-5	21	8	15	M1205	M1205B
M12 x 1.5	4-8	22	8	19	M1208	M1208B
M16 x 1.5	4-8	22	8	19	M1608	M1608B
M16 x 1.5	2-6	22	8	19	M1606	M1606B
M16 x 1.5	5-10	25	8	22	M1610	M1610B
M18 x 1.5	3-7	22	8	19	M1807	M1807B
M18 x 1.5	5-10	22	8	19	M1810	M1810B
M20 x 1.5	6-12	27	9	24	M2012	M2012B
M20 x 1.5	5-9	27	9	24	M2009	M2009B
M20 x 1.5	10-14	28	9	27	M2014	M2014B
M20 x 1.5	10-15	32	10	27	M2015	M2015B
M22 x 1.5	10-14	28	9.5	27	M2214	M2214B
M24 x 1.5	10-14	28	12	27	M2414	M2414B
M25 x 1.5	7-12	28	12	27	M25712	M25712B
M25 x 1.5	10-14	28	12	27	M2514	M2514B
M25 x 1.5	9-16	31	11	33	M2516	M2516B
M25 x 1.5	13-18	31	11	33	M2518	M2518B
M30 x 1.5	13-18	31	12	33	M3018	M3018B
M30 x 1.5	18-25	37	12	42	M3025	M3025B
M32 x 1.5	18-25	37	11	42	M3225	M3225B
M32 x 1.5	13-20	37	11	42	M3220	M3220B
M32 x 1.5	16-22.5	37	11	42	M3222	M3222B
M40 x 1.5	22-32	48	13	53	M4032	M4032B
M40 x 1.5	20-26	48	13	53	M4026	M4026B
M40 x 1.5	23-33.5	48	13	53	M4033	M4033B
M50 x 1.5	32-38	49	13	60	M5038	M5038B
M50 x 1.5	25-31	49	13	60	M5031	M5031B
M63 x 1.5	37-44	49	14	65/68	M6344	M6344B
M63 x 1.5	29-35	49	14	65/68	M6335	M6335B
M63 x 1.5	25-30.5	49	14	65/68	M6330	M6330B
M63 x 1.5	30.5-40	49	14	65/68	M6340	M6340B
M75 x 2	47-56	65	25	82	M7556	M7556B
M75 x 2	38-56	65	25	82	M7547-T	M7547B-T
M75 x 2	23-56	65	25	82	M7530-T	M7530B-T
★ 非常用型号 Non-Standard Model						
★ M27 x 1.5	9-16	31	11	33	M2716	M2716B
★ M27 x 1.5	13-18	31	11	33	M2718	M2718B
★ M32 x 1.5	9-16	31	11	33/42	M3216	M3216B
★ M32 x 1.5	13-18	31	11	33/42	M3218	M3218B

专利产品 Patented product.

PG型电缆固定头

PG Type Nylon Cable Glands



→ PG



材料 Material: 采用UL认可的尼龙材料 PA (NYLON), UL94 V-2
 防水圈 Seal: EPDM (可选丁腈橡胶, 硅橡胶, TPV等 optional material NBR, Silicone Rubber,TPV)
 O型圈 O-Ring: EPDM (可选硅橡胶, TPV, 氟橡胶等 optional material, Silicone Rubber, TPV,FPM)
 工作温度 Working temperature: -40°C to 100°C
 颜色种类 Color: 灰色、黑色, 其他颜色可定做 Grey (RAL7035), Black (RAL9005), other colors customized.
 材料种类 Material options: V0或F1可定做 V0 or F1 can be offered upon request.

如需其他材料或者颜色, 请垂询! Other material or Colors upon request.
 O型圈默认预装! All O rings are pre-assembled as standard.



Thread ∅D1	∅k mm	H mm	GL mm	∅ mm	Product Model RAL7035	Product Model RAL9005
PG 7	3-6.5	21	8	15	P0707	P0707B
PG 7	2-5	21	8	15	P0705	P0705B
PG 9	4-8	22	8	19	P0908	P0908B
PG 9	2-6	22	8	19	P0906	P0906B
PG 11	5-10	25	8	22	P1110	P1110B
PG 11	3-7	25	8	22	P1107	P1107B
PG 13.5	6-12	27	9	24	P13512	P13512B
PG 13.5	5-9	27	9	24	P13509	P13509B
PG 16	10-14	28	10	27	P1614	P1614B
PG 16	7-12	28	10	27	P1612	P1612B
PG 21	13-18	31	11	33	P2118	P2118B
PG 21	9-16	31	11	33	P2116	P2116B
PG 29	18-25	37	11	42	P2925	P2925B
PG 29	13-20	37	11	42	P2920	P2920B
PG 29	16-22.5	37	11	42	P2922	P2922B
PG 36	22-32	48	13	53	P3632	P3632B
PG 36	20-26	48	13	53	P3626	P3626B
PG 42	32-38	49	13	60	P4238	P4238B
PG 42	25-31	49	13	60	P4231	P4231B
PG 48	37-44	49	14	65	P4844	P4844B
PG 48	29-35	49	14	65	P4835	P4835B
PG 48	25-30.5	49	14	65	P4830	P4830B
PG 48	30.5-40	49	14	65	P4840	P4840B
PG 48	18-44	49	14	65	P4824-T	P4824B-T
PG 48	40-50	52	14	70	P4850	P4850B
PG 48	30-50	52	14	70	P4840-T	P4840B-T
★ 非常用型号 Non-Standard Model						
★ PG 19	12-15	33	11	27	P1915-HW	P1915B-HW
★ PG 19	12-15.5	30	12	27	P1916-DH	P1916B-DH

专利产品 Patented product.



M型多孔电缆固定头

Multiple-entry Nylon Cable Glands-Metric Type



→ M

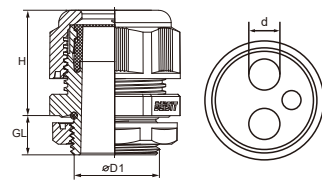
CE IP68 RoHS REACH

材料 Material: 采用UL认可的尼龙材料 PA (NYLON), UL94 V-2
 防水圈 Seal: EPDM (可选丁腈橡胶, 硅橡胶, TPV等 optional material NBR, Silicone Rubber,TPV)
 O型圈 O-Ring: EPDM (可选硅橡胶, TPV, 氟橡胶等 optional material, Silicone Rubber, TPV,FPM)
 工作温度 Working temperature: -40°C to 100°C
 颜色种类 Color: 灰色、黑色, 其他颜色可定做 Grey (RAL7035), Black (RAL9005), other colors customized.
 孔数 Number of holes: 可根据要求定做 Could be customized
 材料种类 Material options: V0或F1可定做 V0 or F1 can be offered upon request

如需其他材料, 请垂询! Other material upon request.

O型圈、垫片默认预装! All O rings and gasket are pre-assembled as standard.

PROFILE



Thread ØD1	No. of Holes x d mm	Product Model	Thread ØD1	No. of Holes x d mm	Product Model	
M12 x 1.5	2*2.5	M12-H2-2.5	M25 x 1.5	1*6	M25-H1-6	
	2*2.8	M12-H2-2.8		1*7.5	M25-H1-7.5	
	3*1.5	M12-H3-1.5		1*10	M25-H1-10	
M16S x 1.5	2*3	M16S-H2-3		2*2.8	M25-H2-2.8	
	3*3	M16S-H3-3		2*4.4	M25-H2-4.4	
	4*2	M16S-H4-2		2*5.7	M25-H2-5.7	
M16B x 1.5	2*4	M16B-H2-4		2*6	M25-H2-6	
	1*1.8+4*2.8	M16B-H5-(1.8+4X2.8)		2*6.3	M25-H2-6.3	
	1*3.6+4*2.6	M16B-H5-(3.6+4X2.6)		2*8	M25-H2-8	
	1*3.2+6*2.4	M16B-H7-(3.2+6X2.4)		1*5+1*8	M25-H2-(5+8)	
M18 x 1.5	2*4	M18-H2-4	1*5+1*10	M25-H2-(5+10)		
	1*1.8+4*2.8	M18-H5-(1.8+4X2.8)	1*6.5+1*10	M25-H2-(6.5+10)		
M20S x 1.5	1*5	M20S-H1-5	3*4.5	M25-H3-4.5		
	1*8	M20S-H1-8	3*6	M25-H3-6		
	2*3	M20S-H2-3	3*7	M25-H3-7		
	2*5	M20S-H2-5	4*5	M25-H4-5		
	3*4	M20S-H3-4	4*6	M25-H4-6		
	4*4	M20S-H4-4	5*4	M25-H5-4		
	6*2.5	M20S-H6-2.5	5*5	M25-H5-5		
	6*3.2	M20S-H6-3.2	5*6	M25-H5-6		
M20B x 1.5	6*2.5+2*1.5	M20S-H8-(6x2.5+2x1.5)	20*2	M25-H20-2		
	8*1.5	M20S-H8-1.5	M27 x 1.5	1*6	M27-H1-6	
	1*7.5	M20B-H1-7.5		1*7.5	M27-H1-7.5	
	1*9	M20B-H1-9		1*10	M27-H1-10	
	1*10.5	M20B-H1-10.5		2*2.8	M27-H2-2.8	
	2*6	M20B-H2-6		2*4.4	M27-H2-4.4	
	2*6.7	M20B-H2-6.7		2*5.7	M27-H2-5.7	
	1*5.3+1*7.8	M20B-H2-(5.3+7.8)		2*6	M27-H2-6	
	M22 x 1.5	1*9		M22-H1-9	2*6.3	M27-H2-6.3
		1*10.5		M22-H1-10.5	2*8	M27-H2-8
2*6		M22-H2-6		1*5+1*8	M27-H2-(5+8)	
2*6.7		M22-H2-6.7	1*5+1*10	M27-H2-(5+10)		
1*5.3+1*7.8		M22-H2-(5.3+7.8)	3*4.5	M27-H3-4.5		
M24 x 1.5	3*6	M27-H3-6	3*6	M27-H3-6		
	3*7	M27-H3-7	3*7	M27-H3-7		
	4*5	M27-H4-5	4*5	M27-H4-5		
	4*6	M27-H4-6	4*6	M27-H4-6		
	5*4	M27-H5-4	5*4	M27-H5-4		
M25S x 1.5	5*5	M27-H5-5	5*5	M27-H5-5		
	5*6	M27-H5-6	5*6	M27-H5-6		
	1*6	M30S-H1-6	M30S x 1.5	1*6	M30S-H1-6	
	1*7.5	M30S-H1-7.5		1*7.5	M30S-H1-7.5	
	1*10	M30S-H1-10		1*10	M30S-H1-10	
	2*2.8	M30S-H2-2.8		2*2.8	M30S-H2-2.8	
	2*4.4	M30S-H2-4.4		2*4.4	M30S-H2-4.4	
	2*5.7	M30S-H2-5.7		2*5.7	M30S-H2-5.7	
	2*6	M30S-H2-6		2*6	M30S-H2-6	
	2*6.3	M30S-H2-6.3		2*6.3	M30S-H2-6.3	
2*8	M30S-H2-8	2*8		M30S-H2-8		
1*5+1*8	M30S-H2-(5+8)	1*5+1*8		M30S-H2-(5+8)		
1*5+1*10	M30S-H2-(5+10)	1*5+1*10	M30S-H2-(5+10)			
3*4.5	M30S-H3-4.5	3*4.5	M30S-H3-4.5			
3*6	M30S-H3-6	3*6	M30S-H3-6			
3*7	M30S-H3-7	3*7	M30S-H3-7			
4*5	M30S-H4-5	4*5	M30S-H4-5			
4*6	M30S-H4-6	4*6	M30S-H4-6			
5*4	M30S-H5-4	5*4	M30S-H5-4			
5*5	M30S-H5-5	5*5	M30S-H5-5			
5*6	M30S-H5-6	5*6	M30S-H5-6			

M型多孔电缆固定头

Multiple-entry Nylon Cable Glands-Metric Type



→ M

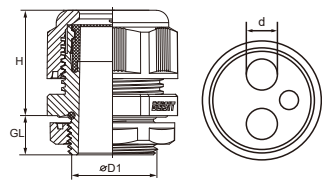
CE IP68 RoHS REACH

材料 Material: 采用UL认可的尼龙材料 PA (NYLON), UL94 V-2
 防水圈 Seal: EPDM (可选丁腈橡胶, 硅橡胶, TPV等 optional material NBR, Silicone Rubber,TPV)
 O型圈 O-Ring: EPDM (可选硅橡胶, TPV, 氟橡胶等 optional material, Silicone Rubber, TPV,FPM)
 工作温度 Working temperature: -40°C to 100°C
 颜色种类 Color: 灰色、黑色, 其他颜色可定做 Grey (RAL7035), Black (RAL9005), other colors customized.
 孔数 Number of holes: 可根据要求定做 Could be customized
 材料种类 Material options: V0或F1可定做 V0 or F1 can be offered upon request

如需其他材料, 请垂询! Other material upon request.

O型圈、垫片默认预装! All O rings and gasket are pre-assembled as standard.

PROFILE



Thread ØD1	No. of Holes x d mm	Product Model	Thread ØD1	No. of Holes x d mm	Product Model
M32S x 1.5	1*6	M32S-H1-6	M32 x 1.5	1*5.5	M32-H1-5.5
	1*7.5	M32S-H1-7.5		2*4.5	M32-H2-4.5
	1*10	M32S-H1-10		2*6	M32-H2-6
	2*2.8	M32S-H2-2.8		3*5.8	M32-H3-5.8
	2*4.4	M32S-H2-4.4		3*8.9	M32-H3-8.9
	2*5.7	M32S-H2-5.7		3*10.7	M32-H3-10.7
	2*6	M32S-H2-6		1*6.7+2*10.2	M32-H3-(6.7+2x10.2)
	2*6.3	M32S-H2-6.3		1*7.6+2*11.7	M32-H3-(7.6+2x11.7)
	2*8	M32S-H2-8		1*8.5+2*6	M32-H3-(8.5+2x6)
	1*5+1*8	M32S-H2-(5+8)		1*9.2+1*6.7+1*4.8	M32-H3-(9.2+6.7+4.8)
	1*5+1*10	M32S-H2-(5+10)		4*7	M32-H4-7
	3*4.5	M32S-H3-4.5		4*8	M32-H4-8
	3*6	M32S-H3-6		2*5+2*8	M32-H4-(2x5+2x8)
3*7	M32S-H3-7	1*7+1*5.5+2*8	M32-H4-(7+5.5+2x8)		
4*5	M32S-H4-5	2*10+2*6.5	M32-H4-(2x10+2x6.5)		
4*6	M32S-H4-6	5*5.4	M32-H5-5.4		
5*4	M32S-H5-4	5*6.5	M32-H5-6.5		
5*5	M32S-H5-5	1*9+4*6	M32-H5-(9+4x6)		
5*6	M32S-H5-6	6*6	M32-H6-6		
M30B x 1.5	1*5.5	M30B-H1-5.5	7*6	M32-H7-6	
	2*4.5	M30B-H2-4.5	1*3.4+6*6.8	M32-H7-(3.4+6x6.8)	
	2*6	M30B-H2-6	8*5	M32-H8-5	
	3*5.8	M30B-H3-5.8	M40 x 1.5	3*9	M40-H3-9
	3*8.9	M30B-H3-8.9		4*10	M40-H4-10
	3*10.7	M30B-H3-10.7		4*11	M40-H4-11
	1*6.7+2*10.2	M30B-H3-(6.7+2x10.2)		8*6	M40-H8-6
	1*7.6+2*11.7	M30B-H3-(7.6+2x11.7)		M50 x 1.5	9*8
	4*7	M30B-H4-7	25*5		M50-H25-5
	4*8	M30B-H4-8	M63 x 1.5	3*6.5	M63-H3-6.5
2*5+2*8	M30B-H4-(2x5+2x8)	M75 x 2.0		2*23	M75-H2-23
5*5.4	M30B-H5-5.4			1*8.2+3*26.2	M75-H4-(3x26.2+8.2)
5*6.5	M30B-H5-6.5			1*7+4*13	M75-H5-(4x13+7)
1*9+4*6	M30B-H5-(9+4x6)				
6*6	M30B-H6-6				
7*6	M30B-H7-6				
1*3.4+6*6.8	M30B-H7-(3.4+6x6.8)				
8*5	M30B-H8-5				



M型圆形尼龙闷盖
Metric Type Nylon Screw Plugs

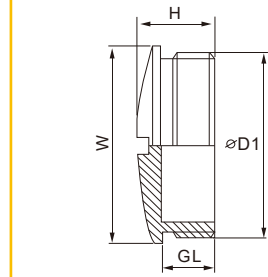


→ M

CE IP68 RoHS

材料 Material: 采用UL认可的尼龙材料 PA (NYLON), UL94 V-2
 O型圈 O-Ring: EPDM (可选硅橡胶, TPV, 氟橡胶等 optional material, Silicone Rubber, TPV, FPM)
 工作温度 Working temperature: -40°C to 100°C
 颜色种类 Color: 灰色、黑色, 其他颜色可定做 Grey (RAL7035), Black (RAL9005), other colors customized.
 材料种类 Material options: V0或F1可定做 V0 or F1 can be offered upon request.

PROFILE



Thread $\varnothing D1$	GL mm	H mm	W mm	Product Model RAL7035 ●	Order No. RAL7035	Product Model RAL9005 ●	Order No. RAL9005
M 12	8.5	12.5	15	SPM1209	1.284.1201.4030-0	SPM1209B	1.284.1203.4030-0
M 16	8.5	13	19	SPM1609	1.284.1601.4030-0	SPM1609B	1.284.1603.4030-0
M 20	9.0	13	25	SPM2009	1.284.2001.4030-0	SPM2009B	1.284.2003.4030-0
M 20	7.3	11.3	25	SPM2007	1.284.2091.4030-0	SPM2007B	1.284.2093.4030-0
M 22	9	13	25	SPM2209	1.284.2201.4030-0	SPM2209B	1.284.2203.4030-0
M 25	10.5	15.5	30	SPM2511	1.284.2501.4030-0	SPM2511B	1.284.2503.4030-0
M 32	10.5	16	38	SPM3211	1.284.3201.4030-0	SPM3211B	1.284.3203.4030-0
M 40	11.5	16	46	SPM4012	1.284.4001.4030-0	SPM4012B	1.284.4003.4030-0
M 50	13.5	18	56	SPM5014	1.284.5001.4030-0	SPM5014B	1.284.5003.4030-0
M 63	14	19	68	SPM6314	1.284.6301.4030-0	SPM6314B	1.284.6303.4030-0



M型定制尼龙闷盖
Metric Type Customization Nylon Screw Plug

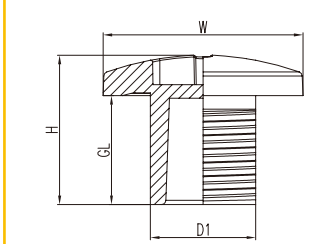


→ M

CE RoHS

材料 Material: 采用UL认可的尼龙材料 PA (NYLON), UL94 V-2
 工作温度 Working temperature: -40°C to 100°C
 颜色种类 Color: 灰色、黑色, 其他颜色可定做 Grey (RAL7035), Black (RAL9005), other colors customized.
 材料种类 Material options: V0或F1可定做 V0 or F1 can be offered upon request.

PROFILE



Thread $\varnothing D1$	GL mm	H mm	W mm	Product Model RAL7035 ●	Product Model RAL9005 ●
M16 x 1.5	12	16.4	22	SPM1612	SPM1612B
M20 x 1.5	9	13	25	SPM2009	SPM2009B
M25 x 1.5	10.5	15.5	30	SPM2511	SPM2511B

可为客户特殊定制 Special Customization is available.





应用领域 Application Fields

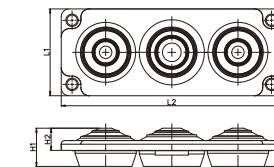
- 电力柜、机械工程、车辆工程、工业自动化、铁路、可再生能源（风能、太阳能等）
Power Cabinet、Machinery、Vehicle、industry automation、Railway、renewable energy(wind、solar power etc)

特点 Features

- 能满足IP54-IP68防护等级 IP54-IP68
- 金属或塑料骨架强化的一体化设计 Integrated design with metal or plastic skeleton reinforcement
- 不需要任何额外的垫圈或密封，简单易用 Easy for installation without using extra sealing or washer
- 适用于中低电流的线缆和不同形式管线的密封 Cable entry system for routing various cables, provide sealing for wide range of cable
- 产品符合B/C/H等各种标准工业开口 Applicable to Type B/C/H in term of wall thickness
- 符合RoHS和Reach标准 RoHS&Reach compliance
- 具有良好的耐候性、耐紫外线和抗臭氧性 Excellent climate resistance, UV proction and Ozone resistance

多孔方形密封穿线板 Cable Entry Plates-Square Type Sith Multi-hole

PROFILE



支撑板材料 Plate: 镀锌板、不锈钢板、铝板、塑料板
Zinc Plated、Stainless steel、Aluminum、Plastic

弹性体材料 Elastomer: 合成橡胶 Synthetic rubber

工作温度 Working temperature: -40 C to100 C

颜色 Materia Color: 灰色(RAL 7035)、黑色(RAL9005) Grey(RAL7035), Black(RAL9005)

防护等级 IP rating: IP66/67

阻燃等级 Flammability Rating: UL94-V0

Product Model	mm	L1 mm	L2 mm	H1 mm	H2 mm	H3 mm	Cut-out dimensions
BST-TP-H7	4x (10-14) 2x (24-54) 1x (30-60)	92	222	76	53	33	A型
BST-TP-H27	4x (5-7) 4x (8-12) 13x (10-14) 4x (14-20) 2x (20-26)	92	222	43	30	23	A型
BST-TP-H37	4x (6-10) 14x (8-12) 16x (10-14) 2x (12-18) 1x (17-32)	92	222	43	30	23	A型
BST-TP-H10	2x (7-12) 8x (10-30)	85	215	52	50	12	A型
BST-TP-H16	15x (10-20) 1x (10-30)	84	216	31	45	22	A型
BST-TP-H35	2x (6-10) 14x (7-12) 16x (10-14) 2x (12-18) 1x (17-32)	82	216	31	17	22	A型

注：其他型号可根据需求定制 Note:Other models can be customized according to customer requirements



多孔圆形密封穿线板

Perfoted Circular Sealing Threading Plate



支撑板材料 Plate: 聚酰胺 (适用于螺纹连接) 镀锌板、不锈钢板、铝板 (适用于法兰连接)
PA (For Thread Version) Zinc Plated、Stainless steel、Aluminum (For Flange Version)

弹性体材料 Elastomer: 合成橡胶 Synthetic rubber

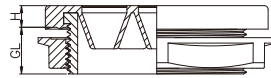
工作温度 Working temperature: -40 C to 100 C

颜色 Materia Color: 灰色(RAL 7035)、黑色(RAL9005) Grey(RAL7035), Black(RAL9005)

防护等级 IP rating: IP66/68

阻燃等级 Flammability Rating: UL94-V0

PROFILE



Thread ØD1	Product Model	Øk mm	H mm	D mm	thread length	Cut-out dimensions
M32 x 1.5	BST-TP-M32	3x (3.2-6.5) 1x (7.2-12.5)	5	44	11	32.3
M40 x 1.5	BST-TP-M40	4x (3.2-6.5) 4x (5-10.2)	5	52	13	40.3
M50 x 1.5	BST-TP-M50	5x (5-10.2) 3x (7.2-12.5)	5	62	13	50.4
M63 x 1.5	BST-TP-M63	1x (3.2-6.5) 3x (5-10.2) 4x (9-16.2) 1x (16-22)	5	75	14	63.4
PG48	P4853-TB	1x (43-53)	13	67	16	59.7

备注: 圆形型螺纹连接法兰连接可选 Remark : Round Shape Grommets available to flange version



宝塔型密封穿线板

Cable Entry Grommets



支撑板材料 Plate: 聚酰胺 (适用于螺纹连接) 镀锌板、不锈钢板、铝板 (适用于法兰连接)
PA (For Thread Version) Zinc Plated、Stainless steel、Aluminum (For Flange Version)

弹性体材料 Elastomer: 合成橡胶 Synthetic rubber

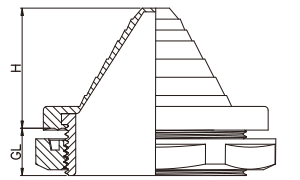
工作温度 Working temperature: -40 C to 100 C

颜色 Materia Color: 灰色(RAL 7035)、黑色(RAL9005) Grey(RAL7035), Black(RAL9005)

防护等级 IP rating: IP66/68

阻燃等级 Flammability Rating: UL94-V0

PROFILE



Thread ØD1	Product Model	Øk mm	D mm	thread length	Cut-out dimensions
M25 x 1.5	BST-PT-M25	3-12	39	11	25.2
M32 x 1.5	BST-PT-M32	6-18	46	11	32.3
M40 x 1.5	BST-PT-M40	12-27	54	13	40.3
M50 x 1.5	BST-PT-M50	22-36	64	13	50.4
M63 x 1.5	BST-PT-M63	27-50	77	14	63.4
M75 x 2.0	BST-PT-M75	39-60	90	14.5	75.5

备注: 宝塔型螺纹连接法兰连接可选 Remark : Cone shape Grommets available to flange version

宝塔型密封穿线板

Cable Entry Grommets

支撑板材料 Plate: 聚酰胺 (适用于螺纹连接) 镀锌板、不锈钢板、铝板 (适用于法兰连接)
PA (For Thread Version) Zinc Plated、Stainless steel、Aluminum (For Flange Version)

弹性体材料 Elastomer: 合成橡胶 Synthetic rubber

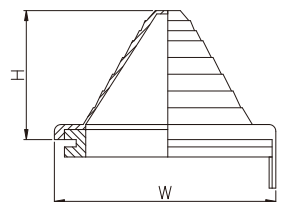
工作温度 Working temperature: -40 C to 100 C

颜色 Materia Color: 灰色(RAL 7035)、黑色(RAL9005) Grey(RAL7035), Black(RAL9005)

防护等级 Protection Class: IP67

阻燃等级 Flammability Rating: UL94-V0

PROFILE



Product Model	Øk mm	H mm	L mm	W mm	Cut-out dimensions
BST-PT-55	10-35	38.5	68	66	55*57.5

备注: 卡接型 Remark : Clamping type

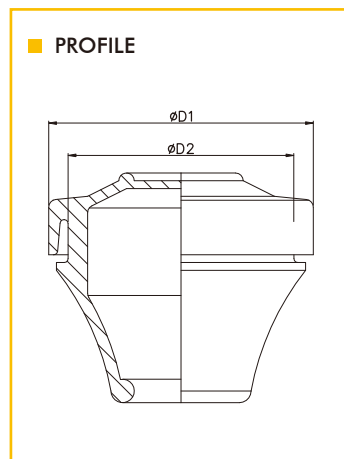
注: 其他型号可根据需求定制 Note: Other models can be customized according to customer requirements



单孔穿线护套
Single Hole Threading Sheath

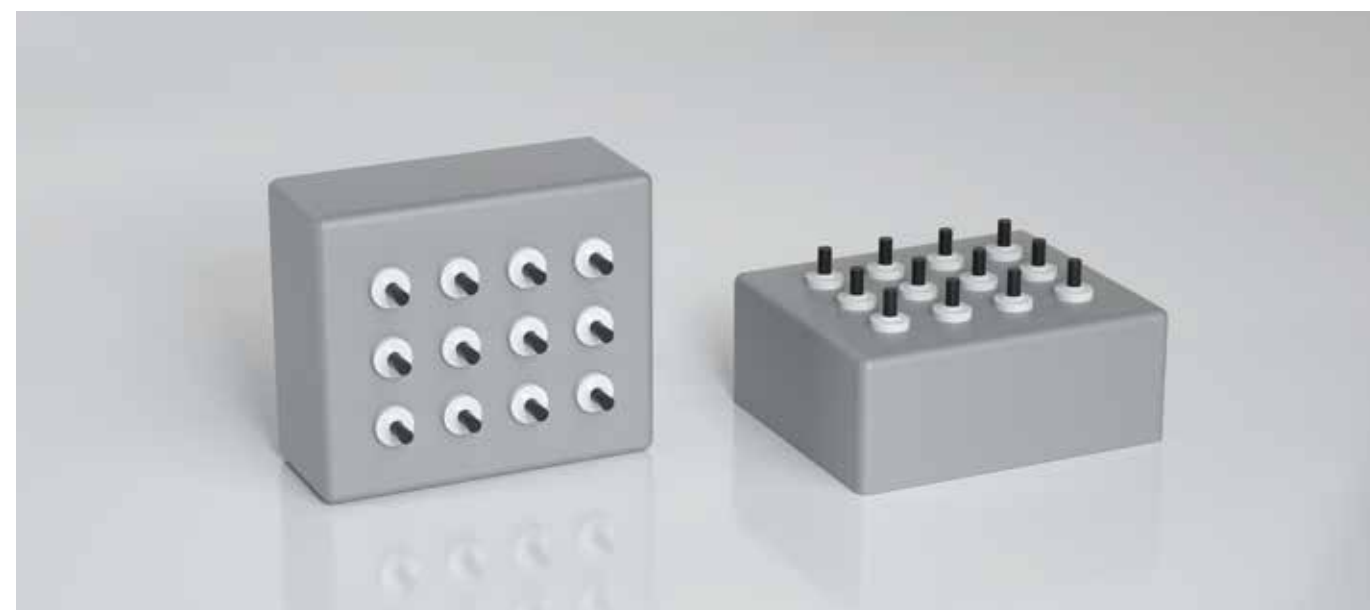


弹性体材料 Elastomer: 合成橡胶 Synthetic Rubber
 工作温度 Working temperature: -40 C to 100 C
 颜色 Material Color: 灰色(RAL 7035)、黑色(RAL9005) Grey(RAL7035), Black(RAL9005)
 防护等级 IP rating: IP67
 阻燃等级 Flammability Rating: UL94-V0



Product Model	mm	(ϕ D1) Max.O.D	(ϕ D2) hole sizes	Plate Thickness
BST-SS-5	3-5	20	13	1-5
BST-SS-7	5-7	20	16	1-5
BST-SS-10	7-10	24	19	1-5
BST-SS-14	10-14	29	23	1-5
BST-SS-17	11-17	30.5	25.5	1-4
BST-SS-20	14-20	34	29	1-5
BST-SS-26	20-26	46	38	1-5
BST-SS-35	26-35	57	48	1-5
BST-SS-45	30-45	69	60	1-5
BST-SS-60	40-60	89	80	1-5

备注: 适用于中低电流的线缆密封 Remark : For Low Current Rating Cable Sealing



安装尺寸
Installation Dimension



型号 Type	安装尺寸图 Cut-out dimensions	连接方式/适用地区 Connect Way/ Application Area
A		法兰连接/适用于全球大部分地区 Flange Connection/ Apply for most area all over the world
B		
C		
D		
E		
F		