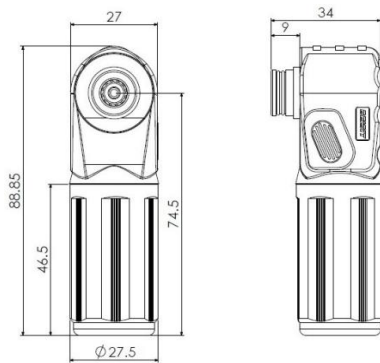


250A High current plug (Circular interface-35mm²) (Black)



Typecode **PW08RB7PC01**
ID **1010010000008**

Technical Data*

Connector

Contacts	Copper alloy silver-plated
Housing	PA66+GF, Black
Sealing	SR
Flame retardant grade	UL94 V-0
Protection class	IP67(inserted together)
Connection mode	Crimping
Working temperature	-40 °C ~ +125°C

Electrical performance

Rated voltage	1500 V/DC
Rated current	150 A
Withstand voltage	DC 6800 V
Temperature rise	≤45 K
Insulation resistance	10000 MΩ(Room temperature)
Pollution degree	II

Mechanical and chemical properties

Insertion force	≤75 N
Extraction force	≤10 N
Mechanical lifespan	≥100 Mating cycles

Cable

Cable cross-section	35 mm ²
Cable diameter	10.5 mm ~ 12 mm

Approval

UL	4128
TUV	2pfg2740

Features

- 360° free rotation
- Protection against electric shock
- Anti misplug
- Push button unlocking
- RoHS-compliant

Commercial data

Weight	104 g
Packaging unit	1 pc
Country of origin	CN

* 这里所列的是设计数据，有关产品的变更不在此做说明，未尽事宜请联系客服。用户有责任验证功能、符合适用的法律和指令以及在特定应用中的电气安全。