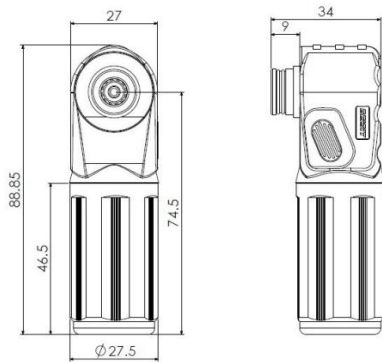


## 250A High current plug (Circular interface-50mm<sup>2</sup>) (Black)



Typecode **PW08RB7PC02**  
ID **1010010000011**

### Technical Data\*

Connector	
Contacts	Copper alloy silver-plated
Housing	PA66+GF, Black
Sealing	SR
Flame retardant grade	UL94 V-0
Protection class	IP67(inserted together)
Connection mode	Crimping
Working temperature	-40 °C ~ +125°C

Electrical performance	
Rated voltage	1500 V/DC
Rated current	200 A
Withstand voltage	DC 6800 V
Temperature rise	≤45 K
Insulation resistance	10000 MΩ(Room temperature)
Pollution degree	II

Mechanical and chemical properties	
Insertion force	≤75 N
Extraction force	≤10 N
Mechanical lifespan	≥100 Mating cycles

Cable	
Cable cross-section	50 mm <sup>2</sup>
Cable diameter	13 mm ~ 14 mm

Approval	
UL	4128
TUV	2pfg2740

### Features

- 360° free rotation
- Protection against electric shock
- Anti misplug
- Push button unlocking
- RoHS-compliant
- UL4128-compliant

**Commercial data**

Weight	98 g
Packaging unit	1 pc
Country of origin	CN

\* 这里所列的是设计数据，有关产品的变更不在此做说明，未尽事宜请联系客服。用户有责任验证功能、符合适用的法律和指令以及在特定应用中的电气安全。