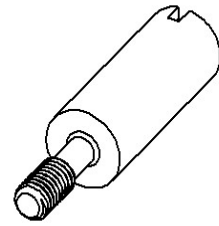
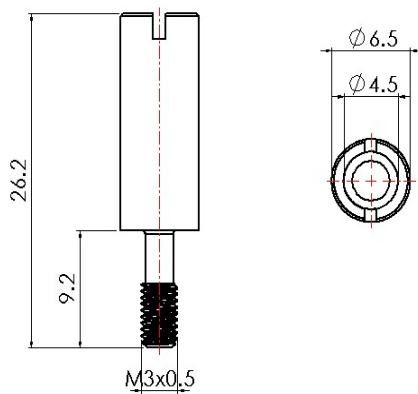


Annex, Guide hole



Typecode **GBM3-4501**
 ID **1 007 08 0000004**

Technical Data

Product Properties

Series	Annex
Mating with	Module insert
Housing type	Guide hole
Thread	1xM3x0.5

Insert

Material	Iron nickel plating
----------	---------------------

Commercial data

Weight	0.004 kg
Packaging unit	100 pcs
Country of origin	CN

Features

- Resistant to salt spray
- RoHS-compliant

*这里所列的是设计数据，有关产品的变更不在此做说明，未尽事宜请联系客服。用户有责任验证功能、符合适用的法律和指令以及在特定应用中的电气安全。