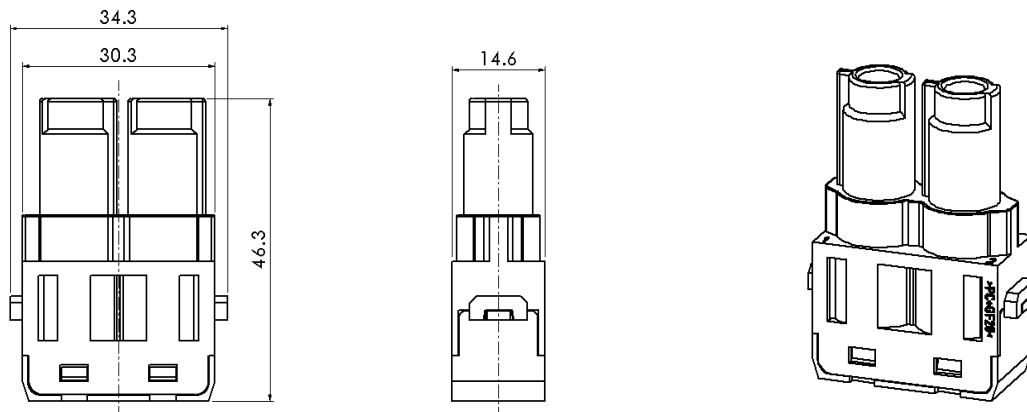


HM Series, Axial screw terminal, 2 pin, Female module



Typecode HM070-002-F-1

ID 1 007 04 000030

Technical Data

Product Properties

Series	HM
Size of the module	module frames
Connection mode	Axial screw terminal
Gender	Female
Rated voltage	1000V
Rated current	70A
Rated impulse voltage	8KV
Number of pins	2
Core cross-section/Clamping ability	6 ~ 16 mm ² /AWG10 ~ AWG6
Pollution degree	3
Insulation resistance	≥ 10 ¹⁰ Ω
Temperature range	-40°C ~ +125°C
Tightening torque	2Nm@6mm ² 3Nm@10mm ² 4Nm@14mm ² 4Nm@16mm ²
Standard	EN 60664-1 IEC 61984

Insert

Material	PC
Colour	Gray (RAL 7032)

Commercial data

Weight	0.022 kg
Packaging unit	1 pc
Country of origin	CN

Features

- High quality engineering plastics
- Crimping connection
- ≥ 500 Mating cycles
- Approval: UL, CE
- RoHS-compliant

*这里所列的是设计数据，有关产品的变更不在此做说明，未尽事宜请联系客服。用户有责任验证功能、符合适用的法律和指令以及在特定应用中的电气安全。