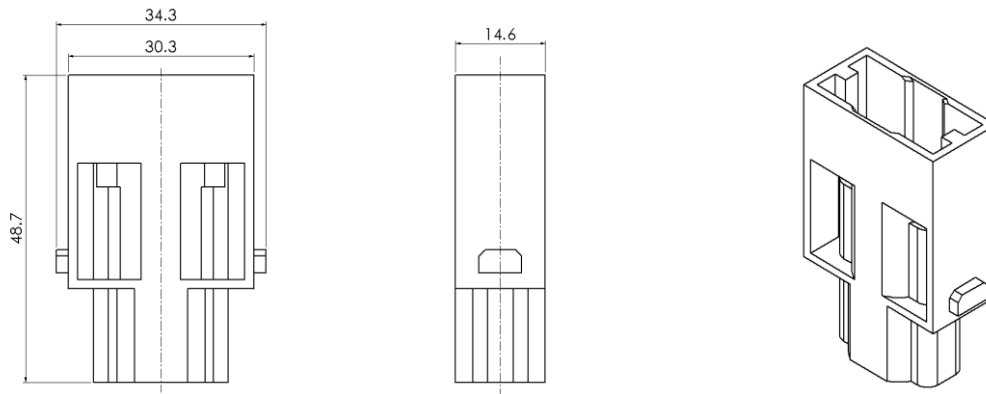


HM Series, Crimp Connection, 1 pin, Male insert



Typecode **HM100-001-MC-1**
 ID **1 007 04 000017**

技术数据

Product Properties	
Series	HM
Mating with	Single module
Connection mode	Crimp termination
Gender	Male
Rated voltage	830 V
Rated current	100 A
Rated impulse voltage	8 kV
Mating contact	100A(CSM)
Number of pins	1
Core cross-section/Clamping ability	10 ~ 35 mm ² /AWG8 ~ AWG2
Pollution degree	3
Insulation resistance	≥10 ¹⁰ Ω
Limiting temperature	-40 °C ~ +125 °C
Standard	EN 60664-1, IEC 61984

Insert	
Material	PC
Colour	RAL 7032

Commercial data	
Weight	0.009 kg
Packaging unit	1 pc
Country of origin	CN

Features

- High quality engineering plastics
- Crimp termination
- ≥500 Mating cycles
- Approval: CE
- RoHS-compliant

*这里所列的是设计数据，有关产品的变更不在此做说明，未尽事宜请联系客服。用户有责任验证功能、符合适用的法律和指令以及在特定应用中的电气安全。