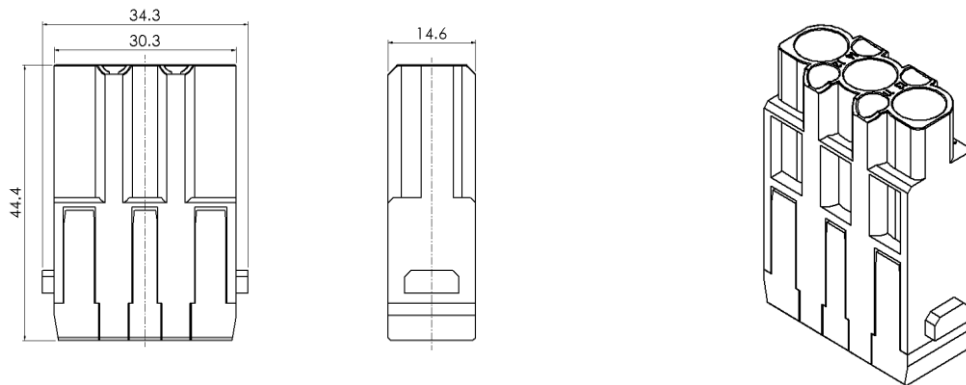


HM Series, Crimp Connection, 3/4 pin, Male insert



Typecode HM040-003/4-MC-1

ID 1 007 04 000047

技术数据

Product Properties

Series	HM
Mating with	Single module
Connection mode	Crimp termination
Gender	Male
Rated voltage	830 V
Rated current	40 / 10A
Rated impulse voltage	8 kV
Mating contact	40A(CSM40/CGM40) / 10A(DSM/DGM)
Number of pins	3 / 4
Core cross-section/Clamping ability	1.5 ~ 6 mm ² /0.14 ~ 2.5 mm ² AWG16 ~ AWG10 / AWG26 ~ AWG14
Pollution degree	3
Insulation resistance	≥ 10 ¹⁰ Ω
Limiting temperature	-40 °C ~ +125 °C
Standard	EN 60664-1, IEC 61984

Insert

Material	PC
Colour	RAL 7032

Commercial data

Weight	0.012 kg
Packaging unit	1 pc
Country of origin	CN

*这里所列的是设计数据, 有关产品的变更不在此做说明, 未尽事宜请联系客服。用户有责任验证功能、符合适用的法律和指令以及在特定应用中的电气安全。

Features

- High quality engineering plastics
- Crimp termination
- ≥500 Mating cycles
- Approval: CE
- RoHS-compliant