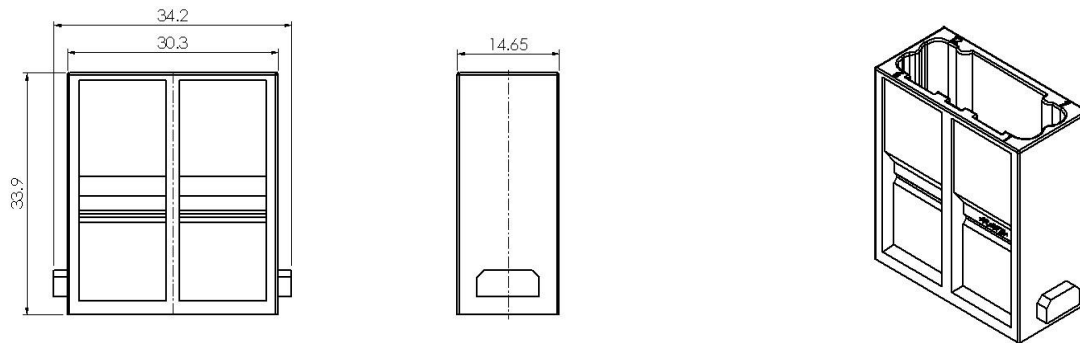


## HM Series, Crimping connection, 12 pin, Male module



Typecode HMD-012-MC-1  
ID 1 007 04 0000067

### Technical Data

#### Product Properties

Series	HM
Size of the module	Single module
Connection mode	Crimping connection
Gender	Male
Rated voltage	250V
Rated current	10A
Rated impulse voltage	4KV
Mating contact series	10A(DSM/DGM)
Number of pins	12
Core cross-section/Clamping ability	0.14 ~ 2.5 mm <sup>2</sup> /AWG26 ~ AWG14
Pollution degree	3
Insulation resistance	≥10 <sup>10</sup> Ω
Temperature range	-40°C ~ +125°C
Standard	EN 60664-1 IEC 61984

#### Insert

Material	PC
Colour	Gray (RAL 7032)

#### Commercial data

Weight	0.009 kg
Packaging unit	1 pcs
Country of origin	CN

### Features

- High quality engineering plastics
- Crimping connection
- ≥500 Mating cycles
- Approval: UL, CE
- RoHS-compliant

\*这里所列的是设计数据，有关产品的变更不在此做说明，未尽事宜请联系客服。用户有责任验证功能、符合适用的法律和指令以及在特定应用中的电气安全。