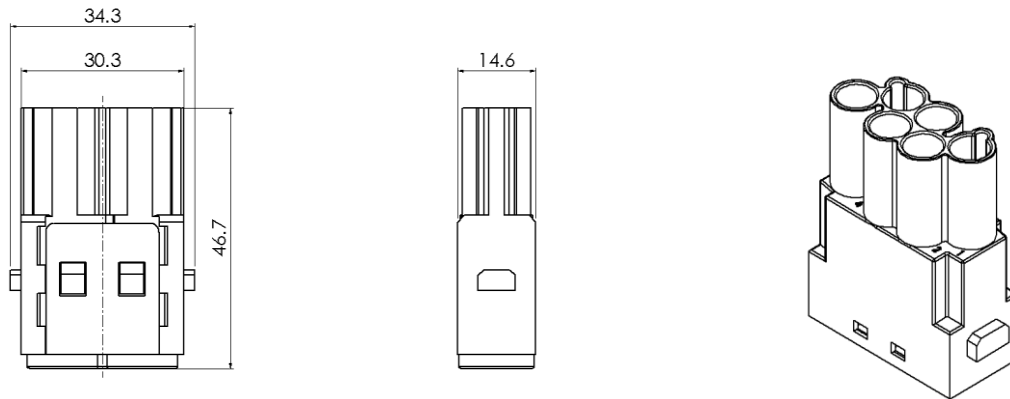


## HM Series, Crimp Connection, 6 pin, Male insert



Typecode HMEHV-006-MC-1  
ID 1 007 04 0000061

### 技术数据

Product Properties	
Series	HM
Mating with	Single module
Connection mode	Crimp termination
Gender	Male
Rated voltage	830 V
Rated current	16 A
Rated impulse voltage	8 kV
Mating contact	16A(ESM/EGM)
Number of pins	6
Core cross-section/Clamping ability	0.14 ~ 4 mm <sup>2</sup> /AWG26 ~ AWG12
Pollution degree	3
Insulation resistance	≥ 10 <sup>10</sup> Ω
Limiting temperature	-40 °C ~ +125 °C
Standard	EN 60664-1, IEC 61984

Insert	
Material	PC
Colour	RAL 7032

Commercial data	
Weight	0.012 kg
Packaging unit	1 pc
Country of origin	CN

### Features

- High quality engineering plastics
- Crimp termination
- ≥ 500 Mating cycles
- Approval: CE
- RoHS-compliant

\*这里所列的是设计数据，有关产品的变更不在此做说明，未尽事宜请联系客服。用户有责任验证功能、符合适用的法律和指令以及在特定应用中的电气安全。