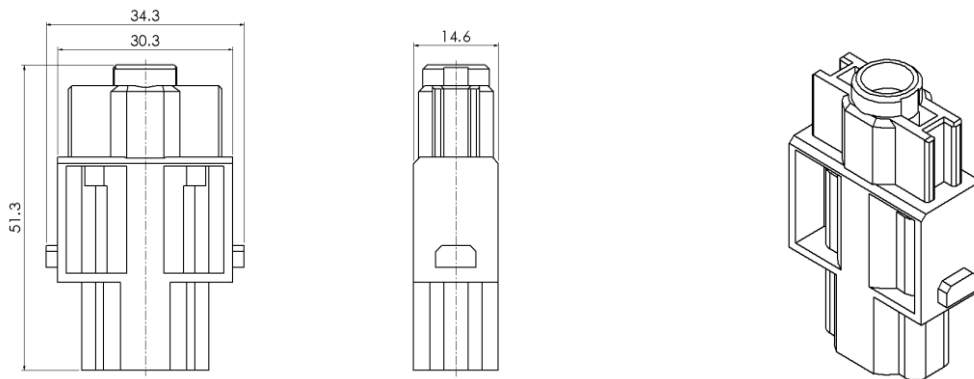


HM Series, Crimp Connection, 1 pin, Femle insert



Typecode HM100-001-FC-1
ID 1 007 04 000018

Technical Data

Product Properties

Series	HM
Mating with	Single module
Connection mode	Crimp termination
Gender	Femle
Rated voltage	830 V
Rated current	100 A
Rated impulse voltage	8 kV
Mating contact	100A(CSF)
Number of pins	1
Core cross-section/Clamping ability	10 ~ 35 mm ² /AWG8 ~ AWG2
Pollution degree	3
Insulation resistance	≥10 ¹⁰ Ω
Limiting temperature	-40 °C ~ +125 °C
Standard	EN 60664-1, IEC 61984

Insert

Material	PC
Colour	RAL 7032

Commercial data

Weight	0.008 kg
Packaging unit	1 pc
Country of origin	CN

Features

- High quality engineering plastics
- Crimp termination
- ≥500 Mating cycles
- Approval: CE
- RoHS-compliant

*这里所列的是设计数据，有关产品的变更不在此做说明，未尽事宜请联系客服。用户有责任验证功能、符合适用的法律和指令以及在特定应用中的电气安全。