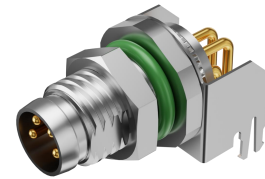
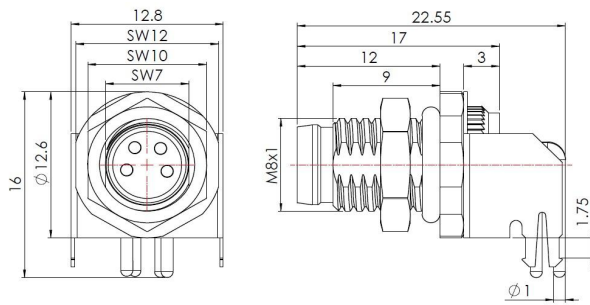


M8 A-Coding, Male flange with PCB 90°, rear-mounted



Typcode M08A04MBRB8P9001
ID 100901000031

Technical Data*

| Connector A | |
|---------------------|---------------------------------|
| Connector | M8, Male, A-Coding |
| Number of Pins | 4-Pin |
| Contacts | Brass, Gold-plated |
| Flange housing | Brass, Nickel-plated |
| Mounting type | PCB 90° |
| Contact Carriers | PA |
| Seal | NBR |
| Protection Class | IP67, Only in screwed condition |
| Mechanical lifespan | ≥ 100 Mating cycles |
| Pollution degree | III |
| Locking mode | M8 x 1 |
| Connection mode | PCB 90° |
| Screw-in thread | M8 x 1 |

| Electrical properties at +20 °C | |
|---------------------------------|----------|
| Rated Voltage | 60 V d.c |
| Rated current | 4 A |
| Test Voltage | 800 V |
| Insulation resistance | ≤ 3 mΩ |
| Contact resistance | ≥ 100 MΩ |

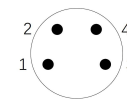
| Mechanical and chemical properties | |
|--|------------------|
| Ambient temperature range (stationary) | -40 °C ... 85 °C |

| Commercial data | |
|-------------------|------|
| Weight | g |
| Country of origin | CN |
| Packaging unit | 1 pc |

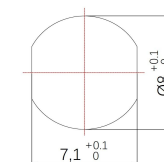
Features

- M8, Male, 4-Pin
- PCB 90°, rear-mounted
- Protection Class: IP67
- RoHS-compliant

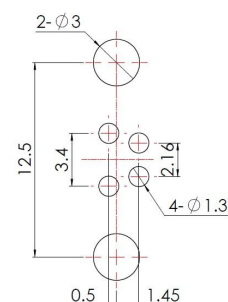
Contact assignment



Through bore



PCB Layout



* Please note that the data specified here were design data, and the parameters of product are subject to changes without prior notice. Matters not mentioned herein. Please contact customer service. Please also note that the user is responsible for validating functionality, conformity with applicable laws and directives, as well as for the electrical safety in the particular application.