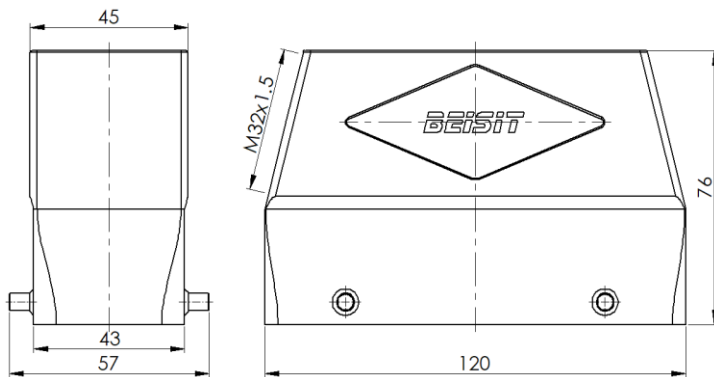


Size 24B Sleeve housing, High type, Lateral opening hole



Typecode H24B-SOH-4P-M32

ID 1 007 01 0000588

Technical Data

Product Properties

| | |
|-------------------------|--|
| Series | Size 24B |
| Mating with | HE-024, HEE-046, HDD-064, HDD-108, HK-004/8 |
| Housing type | Sleeve housing, high type |
| Cable outlets direction | Single-side opening |
| Cable outlets | M32 x 1.5 |
| Protection Class | IP65 |
| Impact strength | IK08 |
| Temperature range | -40 °C ... 125 °C |
| Standard | DIN EN 175301-801 |

Insert

| | |
|------------------|-------------------|
| Housing material | Die-cast aluminum |
| Color | Gray (RAL 7037) |

Commercial data

| | |
|-------------------|-------|
| Weight | 182 g |
| Packaging unit | 1 pc |
| Country of origin | CN |

Features

- Die casting of aluminum
- Single-side opening
- Resistant to salt spray
- Approval: UL94-V0
- RoHS-compliant

*The design data are listed here, and the changes to the product are not described here. For unfinished matters, please contact customer service. It is the user's responsibility to verify functionality, compliance with applicable laws and instructions, and electrical safety in specific applications.