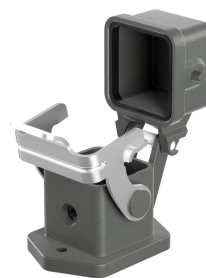
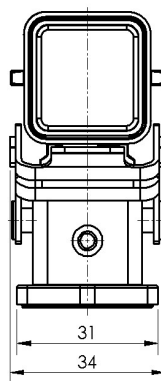
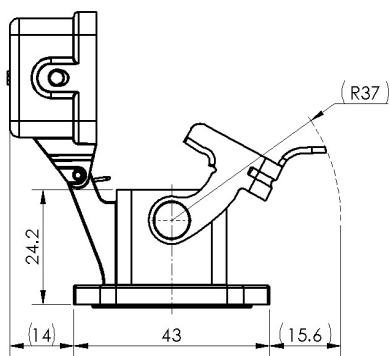


Size 3A Bulkhead mounted housing, stainless steel single lock buckle



Typecode H3A-OM-1LS-MCG

ID 1 007 01 0000021

Technical Data

Product Properties

Series	Size 3A
Mating with	HA-003, HA-004, HD-007, HD-008, HQ-005 HQ-007, HQ-012
Housing type	Bulkhead mounted housing
Cable outlets direction	Bottom opening
Locking type	Single locking lever
Cover	Yes, metal
Protection Class	IP65
Impact strength	IK08
Temperature range	-40 °C ... 125 °C
Standard	DIN EN 175301-801

Insert

Housing material	Die-casting zinc
Color	Gray (RAL 7037)
Latch	Stainless steel
Cover	Die-casting zinc, gray
Seal	Silastic, black

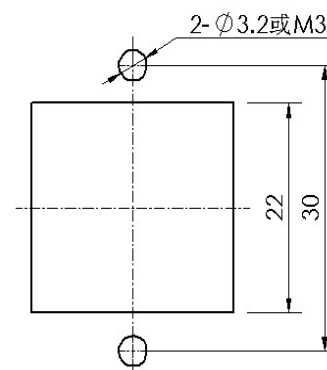
Commercial data

Weight	0.073 kg
Packaging unit	1 pc
Country of origin	CN

Features

- Die-casting of zinc
- Surface fixed installation
- Stainless steel single lock buckle
- Stamping resistance metal protective cover
- Bottom fully open wire opening
- NBR, black
- Silastic gasket, black
- Resistant to salt spray
- Approval: UL94-V0
- RoHS-compliant

Mounting-hole Size



*The design data are listed here, and the changes to the product are not described here. For unfinished matters, please contact customer service. It is the user's responsibility to verify functionality, compliance with applicable laws and instructions, and electrical safety in specific applications.

