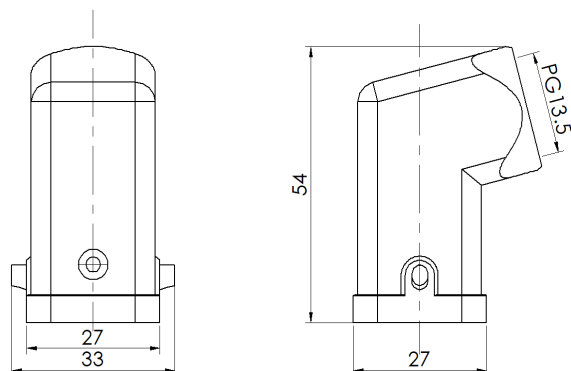


Size 3A Sleeve housing, Lateral opening hole



Typecode H3A-SO-2P-PG13.5

ID 1 007 01 0000009

Technical Data

Product Properties

Series	Size 3A
Mating with	HA-003, HA-004, HD-007, HD-008, HQ-005 HQ-007, HQ-012
Housing type	Sleeve housing
Cable outlets direction	Lateral opening hole
Cable outlets	PG13.5
Protection Class	IP65/IP67
Impact strength	IK08
Temperature range	-40 °C ... 125 °C
Standard	DIN EN 175301-801

Insert

Housing material	Die-cast zinc
Color	Gray (RAL 7037)

Commercial data

Weight	0.081 kg
Packaging unit	1 pc
Country of origin	CN

Features

- Die casting of zinc
- Lateral opening hole
- Resistant to salt spray
- Approval: UL94-V0
- RoHS-compliant

*这里所列的是设计数据，有关产品的变更不在此做说明，未尽事宜请联系客服。用户有责任验证功能、符合适用的法律和指令以及在特定应用中的电气安全。