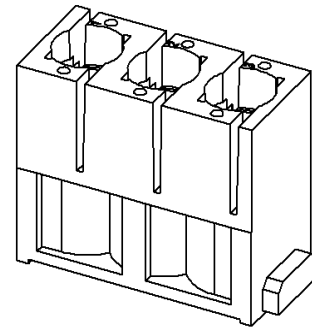
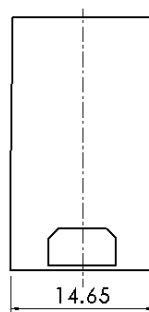
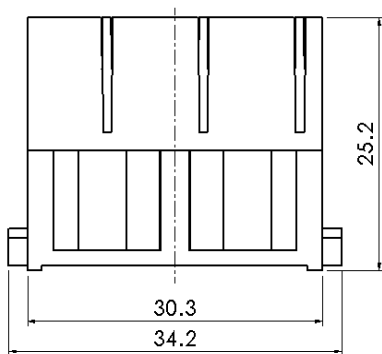


Pneumatic module, 3pin



Typecode HMP-003-V2
ID 1 007 04 0000120

Technical Data

Product Properties

Series	HM
Mating with	module frames
Type	Pneumatic module
Number of pins	3
Mating cycles	≥10,000
Flame retardant grade	UL94-V0
Limiting temperature	-40°C~+85°C
Standard	EN 60664-1 IEC 61984

Insert

Material	PC
Colour	RAL 5012

Commercial data

Weight	0.006 kg
Packaging unit	2 pc
Country of origin	CN

特点

- High quality engineering plastics
- ≥10,000 Mating cycles
- RoHS-compliant

*What is listed here is the design data, the change of the product is not explained here, please contact the customer service. It is the responsibility of the user to verify the functionality, compliance with applicable laws and directives and electrical safety in the particular application.