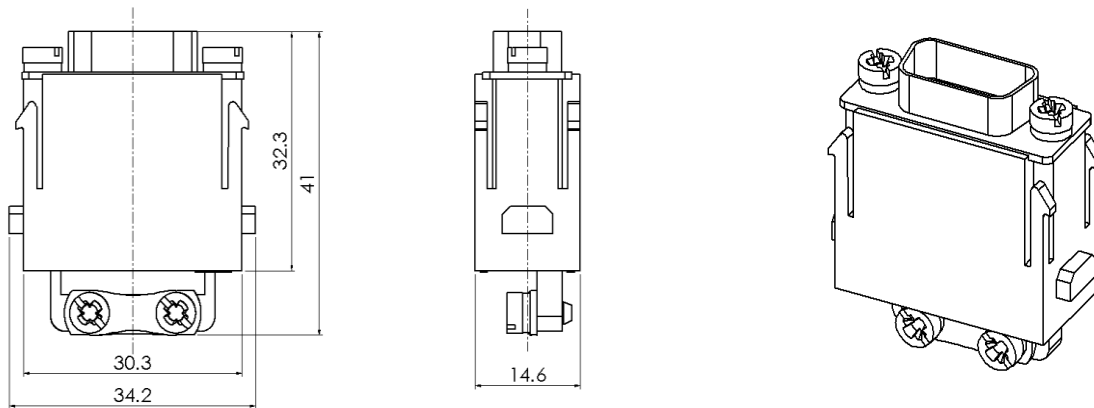


## Communication-module, HMDB, male



Typecode HMDB-009-MC-1  
ID 1 007 04 000083

### Technical Data

#### Product Properties

Series	HM
Mating with	module frames
Gender	Male
Type	HMDB
Number of pins	9
Rated voltage	50V
Rated current	5A
Rated impulse voltage	0.8KV
Insulation resistance	$\geq 10^{10} \Omega$
Mating cycles	$\geq 500$
Flame retardant grade	UL94-V0
Limiting temperature	-40°C ~ +125°C
Standard	EN 60664-1 IEC 61984

#### Insert

Material	PC
Colour	RAL 7032

#### Commercial data

Weight	0.036 kg
Packaging unit	1 pc
Country of origin	CN

### 特点

- High quality engineering plastics
- $\geq 500$  Mating cycles
- RoHS-compliant

\*What is listed here is the design data, the change of the product is not explained here, please contact the customer service. It is the responsibility of the user to verify the functionality, compliance with applicable laws and directives and electrical safety in the particular application.