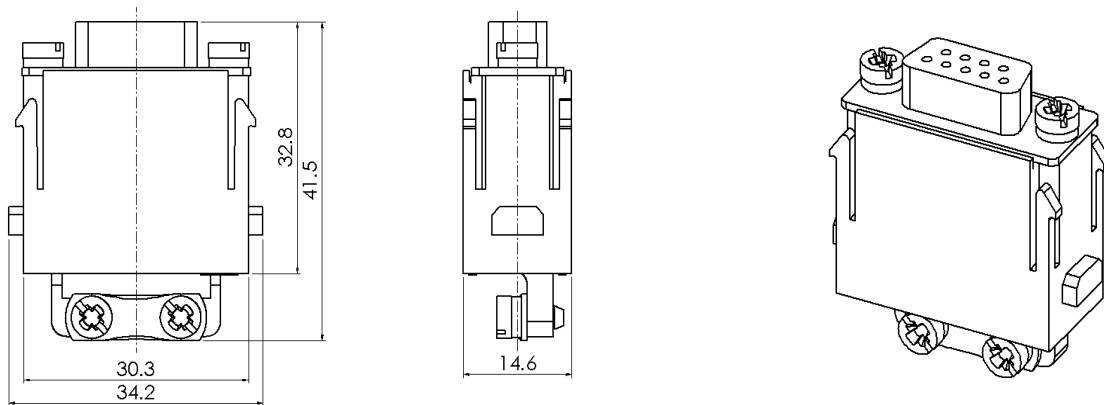


Communication-module, HMDB, Female



Typecode HMDB-009-FC-1
ID 1 007 04 000084

Technical Data

Product Properties

Series	HM
Mating with	module frames
Gender	Female
Type	HMDB
Number of pins	9
Rated voltage	50V
Rated current	5A
Rated impulse voltage	0.8KV
Insulation resistance	$\geq 10^{10} \Omega$
Mating cycles	≥ 500
Flame retardant grade	UL94-V0
Limiting temperature	-40°C ~ +125°C
Standard	EN 60664-1 IEC 61984

Insert

Material	PC
Colour	RAL 7032

Commercial data

Weight	0.032 kg
Packaging unit	1 pc
Country of origin	CN

特点

- High quality engineering plastics
- ≥ 500 Mating cycles
- RoHS-compliant

*What is listed here is the design data, the change of the product is not explained here, please contact the customer service. It is the responsibility of the user to verify the functionality, compliance with applicable laws and directives and electrical safety in the particular application.