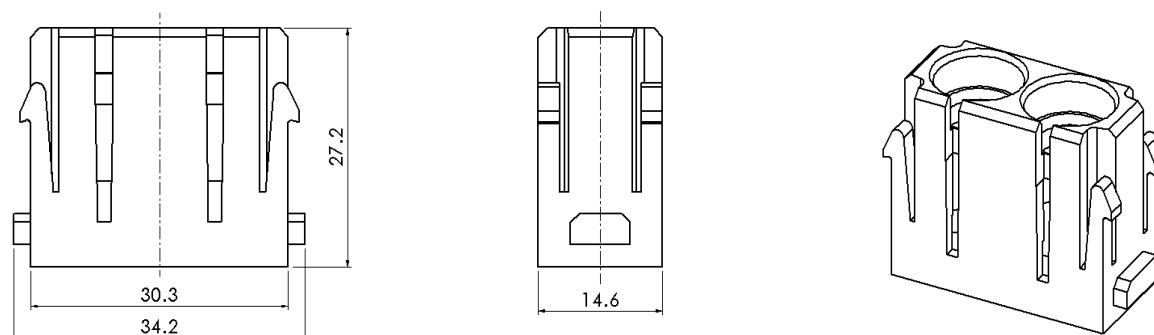


## Pneumatic module, 2pin



Typecode HMP-002  
ID 1 007 04 0000104

### Technical Data

#### Product Properties

Series	HM
Mating with	module frames
Type	Pneumatic module
Number of pins	2
Mating cycles	≥500
Flame retardant grade	UL94-V0
Limiting temperature	-40°C~+80°C
Standard	EN 60664-1 IEC 61984

#### Insert

Material	PC
Colour	RAL 5012

#### Commercial data

Weight	0.005 kg
Packaging unit	2 pc
Country of origin	CN

### 特点

- High quality engineering plastics
- ≥500 Mating cycles
- RoHS-compliant

\*What is listed here is the design data, the change of the product is not explained here, please contact the customer service. It is the responsibility of the user to verify the functionality, compliance with applicable laws and directives and electrical safety in the particular application.