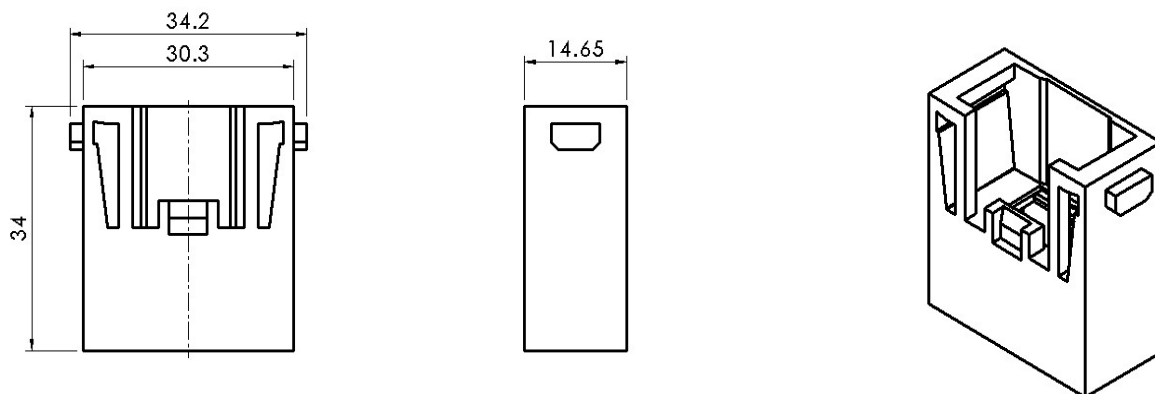


## RJ45-module, male



Typecode    HM-RJ45-M-1  
ID            1 007 04 0000085

### Technical Data

#### Product Properties

Series	HM
Mating with	module frames
Gender	Male
Type	RJ45
Insulation resistance	$\geq 10^{10} \Omega$
Mating cycles	$\geq 500$
Flame retardant grade	UL94-V0
Limiting temperature	-40°C~+70°C
Standard	EN 60664-1 IEC 61984

#### Insert

Material	PC
Colour	RAL 7032

#### Commercial data

Weight	0.007 kg
Packaging unit	1 pc
Country of origin	CN

### Features

- High quality engineering plastics
- $\geq 500$  Mating cycles
- RoHS-compliant
- Single-module

\*The design data are listed here, and the changes to the product are not described here. For unfinished matters, please contact customer service. It is the user's responsibility to verify functionality, compliance with applicable laws and instructions, and electrical safety in specific applications.