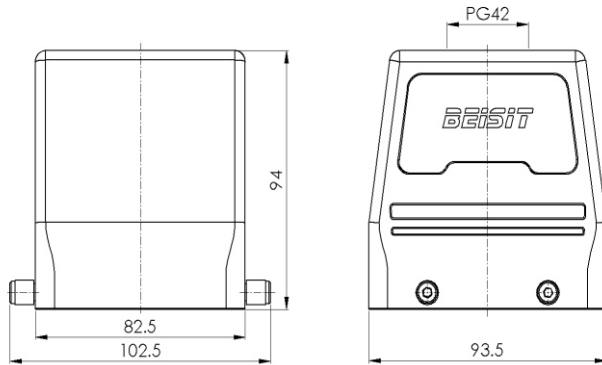


## Size 32B Sleeve housing, Top opening hole



Typecode    **H32B-TO-4PR-PG42**  
 ID            **1 007 01 0000779**

### Technical Data

#### Product Properties

Series	Size 32B
Mating with	HE-032, HEE-064, HD-080 HDD-144, HSB-12
Housing type	Sleeve housing
Cable outlets direction	Top opening hole
Cable outlets	PG42
Protection Class	IP65
Impact strength	IK08
Temperature range	-40 °C ... 125 °C
Standard	DIN EN 175301-801

#### Insert

Housing material	Die-cast aluminum
Color	Gray (RAL 7037)

#### Commercial data

Weight	486 g
Packaging unit	1 pc
Country of origin	CN

### Features

- Die casting of aluminum
- Top opening hole
- Resistant to salt spray
- Approval: UL94-V0
- RoHS-compliant

\*The design data are listed here, and the changes to the product are not described here. For unfinished matters, please contact customer service. It is the user's responsibility to verify functionality, compliance with applicable laws and instructions, and electrical safety in specific applications.