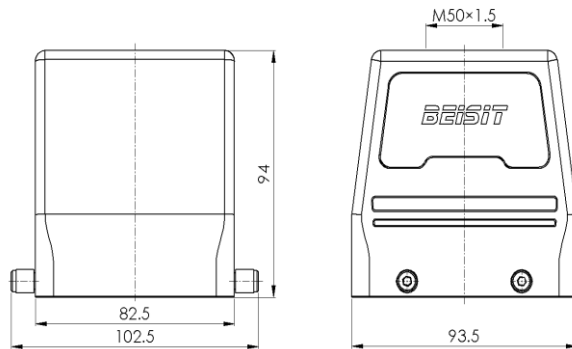


Size 32B Sleeve housing, Top opening hole



Typecode H32B-TO-4PR-M50

ID 1 007 01 0000775

Technical Data

Product Properties

Series	Size 32B
Mating with	HE-032, HEE-064, HD-080 HDD-144, HSB-12
Housing type	Sleeve housing
Cable outlets direction	Top opening hole
Cable outlets	M50 x 1.5
Protection Class	IP65
Impact strength	IK08
Temperature range	-40 °C ... 125 °C
Standard	DIN EN 175301-801

Insert

Housing material	Die-cast aluminum
Color	Gray (RAL 7037)

Commercial data

Weight	492 g
Packaging unit	1 pc
Country of origin	CN

Features

- Die casting of aluminum
- Top opening hole
- Resistant to salt spray
- Approval: UL94-V0
- RoHS-compliant

*The design data are listed here, and the changes to the product are not described here. For unfinished matters, please contact customer service. It is the user's responsibility to verify functionality, compliance with applicable laws and instructions, and electrical safety in specific applications.