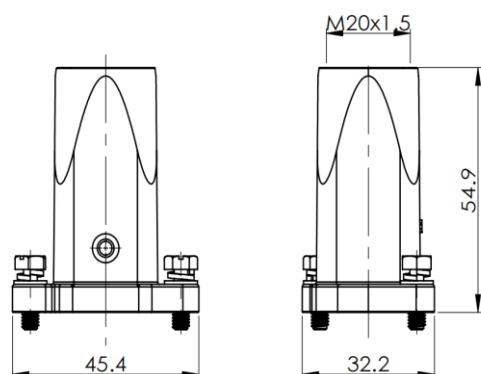


Size 3A HPR, Sleeve housing



Typecode HPR3A-TO-2B-M20

ID 1 007 11 0000001

Technical Data

Product Properties

Series	Size 3A
Mating with	HA-003, HA-004, HD-008, HQ-005 HQ-007, HQ-012
Housing type	Sleeve housing
Cable outlets direction	Top entry
Cable outlets	M20 x 1.5
Locking type	Screw
Protection Class	IP68
Impact strength	IK08
Temperature range	-40 °C ... 125 °C
Standard	DIN EN 175301-801

Insert

Housing material	Die-casting zinc alloy
Color	Black (RAL 9005)

Commercial data

Weight	78 g
Packaging unit	1 pc
Country of origin	CN

Features

- Die-casting zinc alloy
- Top entry
- Resistant to salt spray
- Approval: UL94-V0
- RoHS-compliant

*The design data are listed here, and the changes to the product are not described here. For unfinished matters, please contact customer service. It is the user's responsibility to verify functionality, compliance with applicable laws and instructions, and electrical safety in specific applications.